



www.gemmaautomotive.com

2018 TANK CATALOGUE



ABOUT US

GEMMA was established in 1998 with Industrial Oil Sector. Establishing Gas Stations and Hydraulic Factories, The Company has become one of the most popular names in Hydraulic Sector With the combined technology and quality for customer satisfaction by proudly adding new items to its Product range namely all types of Hydraulic Pumps, Pto's, Telescopic Cylinder ranges, Mobile Cranes Hydraulic Valves, Intermediate Coupling Elements, Flanges, Adapters, Drive Shafts, Dumber Swithes And Sockets

GEMMA, based its quality policy on Professional staff and service principles as competitive prices-high Quality-with on time delivery, is a Pioneer enterprise reflecting a perfect service level with its national And international corporate identity.

MISSION AND VISION WE AIM TO

Provide Professional and qualified service at competitive rates ;

Respond promptly to client's needs ;

Adopt a friendly and approachable attitude ;

Keep regular contact with our clients ;

Improve , constantly, the quality of legal advice

Through specialization ;

Produce high quality and durable products ;

Meet the demands and expectations of customers at the highest level ;

Increase the market share in the sector every year ;



AUTOMOTIVE

Gemma



Herzaman yüksek kalite...
Always HIGH Quality...





Herzaman yüksek kalite...
Always HIGH Quality...







ALÜMİNYUM YAKIT TANKLARI ALUMINIUM FUEL TANKS

42x52.....	12/13
56x64.....	14/15
62x67.....	16/17
67x70.....	18/19
69x69.....	20/21
71x69.....	22/23
71x71.....	24/25



ÇELİK YAKIT TANKLARI STEEL FUEL TANKS

42x52.....	26/27
56x64.....	28/29
62x67.....	30/31
67x70.....	32/33
69x69.....	34/35



ALÜMİNYUM YAĞ TANKLARI (YAN BAĞLANTI) ALUMINIUM OIL TANKS (SIDE MOUNTED)

42x52.....	36/37
56x64.....	38/39
62x67.....	40/41
69x69.....	42/43
Ø400.....	76/77
Ø550.....	78/79
Ø620.....	80/81
Ø660.....	82/83



ÇELİK YAĞ TANKLARI (YAN BAĞLANTI) STEEL OIL TANKS (SIDE MOUNTED)

42x52.....	44/45
56x64.....	46/47
62x67.....	48/49
69x69.....	50/51
Ø400.....	84/85
Ø550.....	86/87
Ø620.....	88/89
Ø660.....	90/91



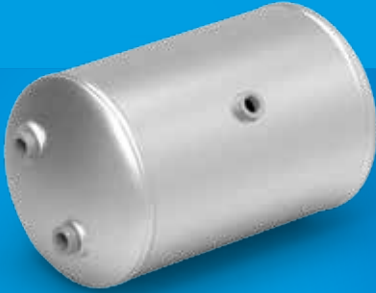
ALÜMİNYUM YAĞ TANKLARI ALUMINIUM OIL TANKS (REAR MOUNTED)

31x41.....	52/53
31x51.....	54/55
35x35.....	56/57
23x83.....	58/59
32x65.....	60/61
42x52.....	62/63



ÇELİK YAĞ TANKLARI STEEL OIL TANKS (REAR MOUNTED)

31x41.....	64/65
31x51.....	66/67
35x35.....	68/69
25x70.....	70/71
32x65.....	72/73
42x52.....	74/75



ALÜMİNYUM HAVA TÜPÜ ALUMINIUM AIR TANKS

Ø246.....	92/93
Ø276.....	94/95
Ø305.....	96/97
Ø396.....	98/99



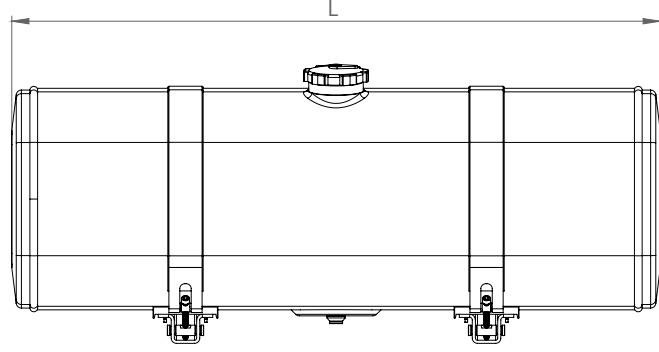
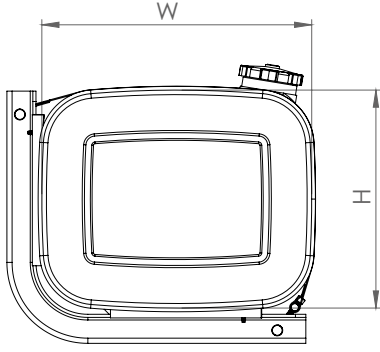
ÇELİK ÜNİTE DEPOLARI STEEL UNIT TANK

.....	100
-------	-----

ALÜMİNYUM
YAKIT
TANKLARI
ALUMINIUM
FUEL
TANKS

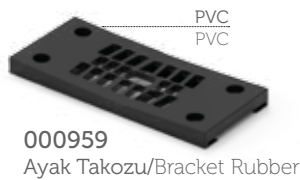
42x52





Seri no Serial no	Orijinal Kod OEM Code	Yükseklik (mm) Height (mm)	Genişlik (mm) Width (mm)	Uzunluk (mm) Length (mm)	Hacim (lt.) Capacity (lt)
AF 4252 050		420	520	50	90
AF 4252 085		420	520	850	160
AF 4252 110		420	520	1100	210
AF 4252 135		420	520	1350	260
AF 4252 160		420	520	1600	310
AF 4252 185		420	520	1850	360

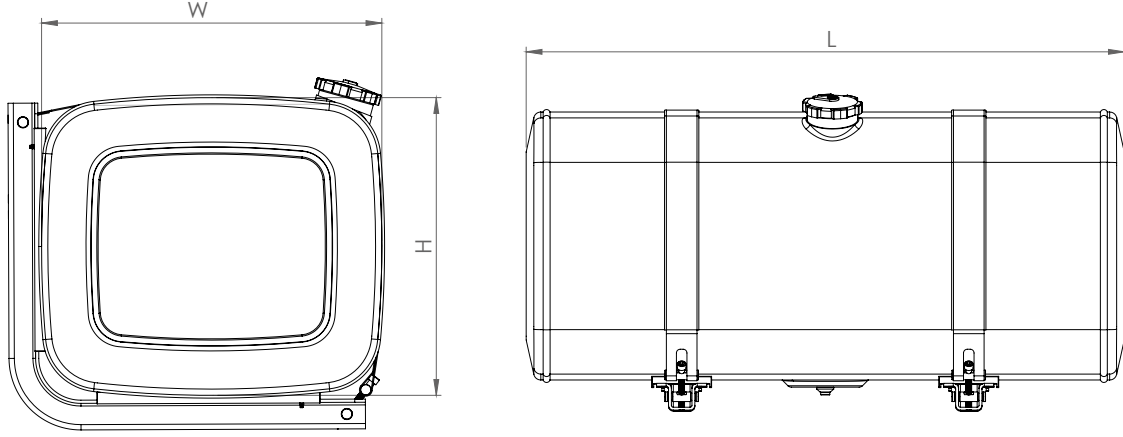
Montaj Kiti / Mounting Kit



ALÜMİNYUM
YAKIT
TANKLARI
ALUMINIUM
FUEL
TANKS

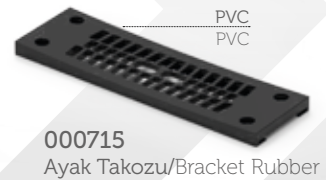
56x64





Seri no Serial no	Orijinal Kod OEM Code	Yükseklik (mm) Height (mm)	Genişlik (mm) Width (mm)	Uzunluk (mm) Length (mm)	Hacim (lt.) Capacity (lt)
AF 5664 073	A942.470.0101	560	640	730	230
AF 5664 094	A942.470.0201 A375.470.2701	560	640	940	300
AF 5664 125	A942.470.0401 A375.470.2801	560	640	1250	400
AF 5664 155	A942.470.0501 A375.470.2901	560	640	1550	500
AF 5664 180	A942.470.0601 A375.470.3001	560	640	1800	600
AF 5664 200		560	640	2000	700

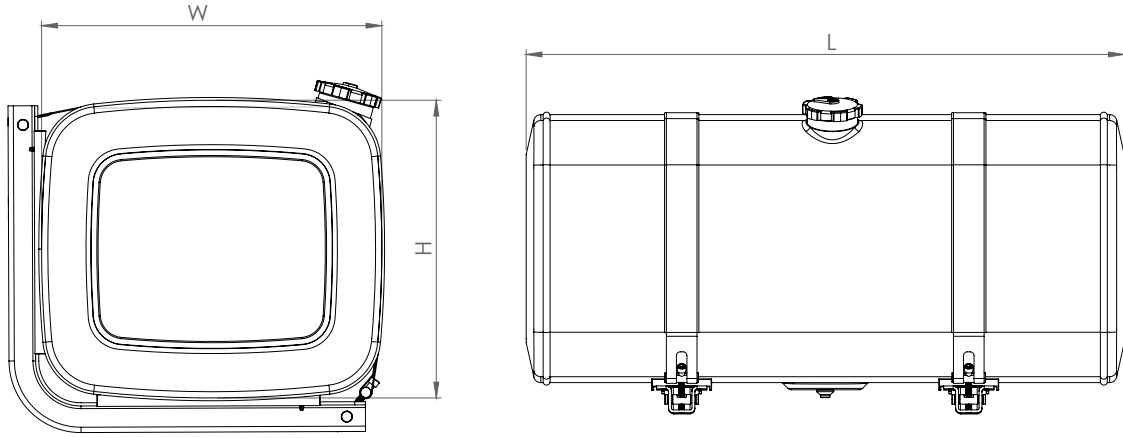
Montaj Kiti / Mounting Kit



ALÜMİNYUM
YAKIT
TANKLARI
ALUMINIUM
FUEL
TANKS

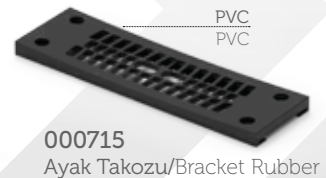
62x67





Seri no Serial no	Orijinal Kod OEM Code	Yükseklik (mm) Height (mm)	Genişlik (mm) Width (mm)	Uzunluk (mm) Length (mm)	Hacim (lt.) Capacity (lt)
AF 6267 070	81.12201-5653 81.12201-5607	620	675	700	250
AF 6267 082	81.12201-5469 81.12201-5654	620	675	820	300
AF 6267 107	81.12201-5656 81.12201-5675	620	675	1070	400
AF 6267 135	81.12201-5657 81.12201-5482	620	675	1350	500
AF 6267 160	81.12201-5664 81.12201-5686	620	675	1600	600
AF 6267 185	81.12201-5673 81.12201-5555	620	675	1850	700
AF 6267 200	81.12201-5523 81.12201-2090	620	675	2000	750
AF 6267 208	81.12201-5674 81.12201-5687	620	675	2080	780
AF 6267 215	81.12201-5671 81.12201-6032	620	675	2150	850

Montaj Kiti / Mounting Kit

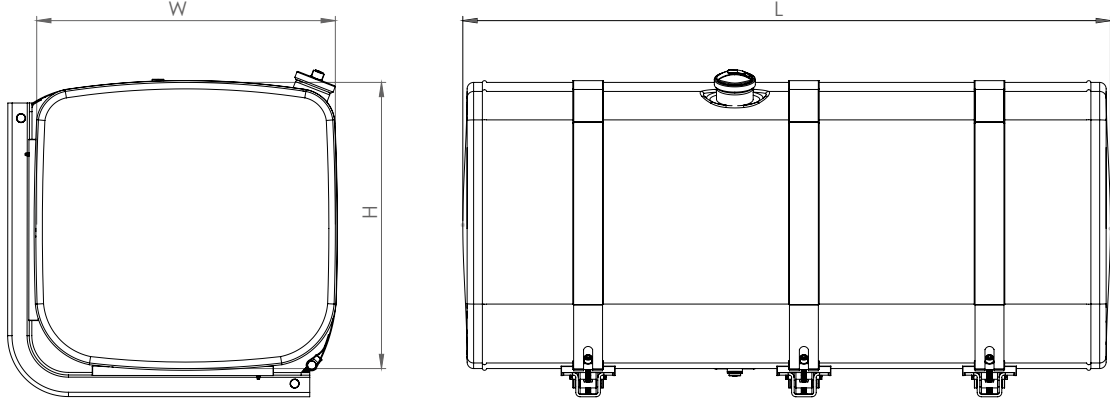


ALÜMİNYUM
YAKIT
TANKLARI
ALUMINIUM
FUEL
TANKS



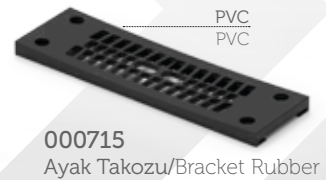
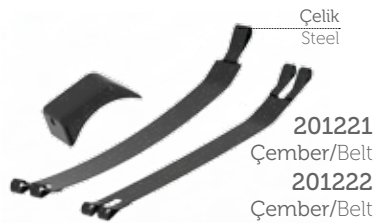
67x70





Seri no Serial no	Orjinal Kod OEM Code	Yükseklik (mm) Height (mm)	Genişlik (mm) Width (mm)	Uzunluk (mm) Length (mm)	Hacim (lt.) Capacity (lt)
AF 6770 040	1517311	670	700	400	150
AF 6770 050	1517303 1757774	670	700	500	200
AF 6770 073	1517304 1871188	670	700	730	300
AF 6770 086	1517305 1871189	670	700	860	350
AF 6770 100	1544778 1878319	670	700	1000	400
AF 6770 119	1517306 1918526	670	700	1190	465
AF 6770 126	1517307 1871190	670	700	1260	500
AF 6770 151	1517308 1871191	670	700	1510	600
AF 6770 162	1517309 1871192	670	700	1620	700

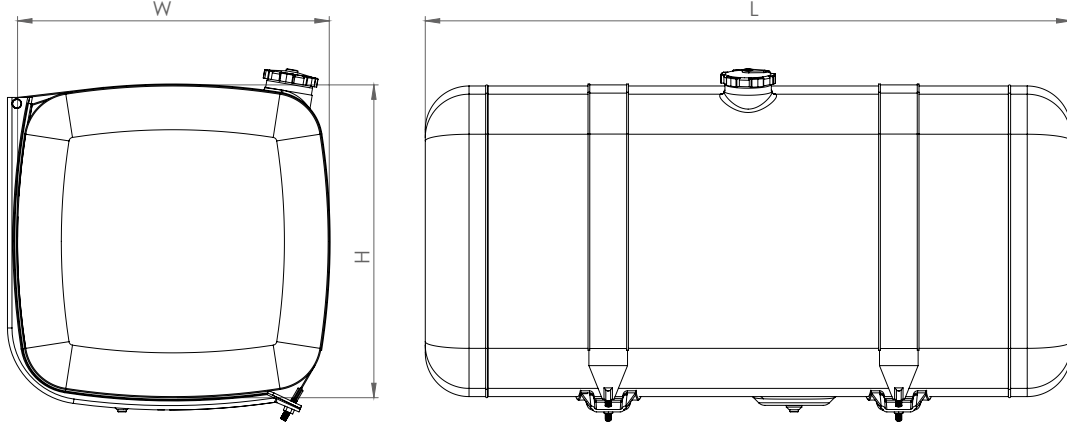
Montaj Kiti / Mounting Kit



ALÜMİNYUM
YAKIT
TANKLARI
ALUMINIUM
FUEL
TANKS

69x69





Seri no Serial no	Orijinal Kod OEM Code	Yükseklik (mm) Height (mm)	Genişlik (mm) Width (mm)	Uzunluk (mm) Lenght (mm)	Hacim (lt.) Capacity (lt)
AF 6969 065	A 942 470 1601	690	690	650	280
AF 6969 076	A 942 470 1001	690	690	760	300
AF 6969 090	A 942 470 1301 A 375 470 1801	690	690	900	400
AF 6969 107	A 942 470 1101	690	690	1070	450
AF 6969 123	A 942 470 1401 A 934 470 0301	690	690	1230	550
AF 6969 150	A 942 470 0001 A 375 470 2601	690	690	1500	650
AF 6969 175		690	690	1750	780
AF 6969 200		690	690	2000	900
AF 6969 225		690	690	2250	1000

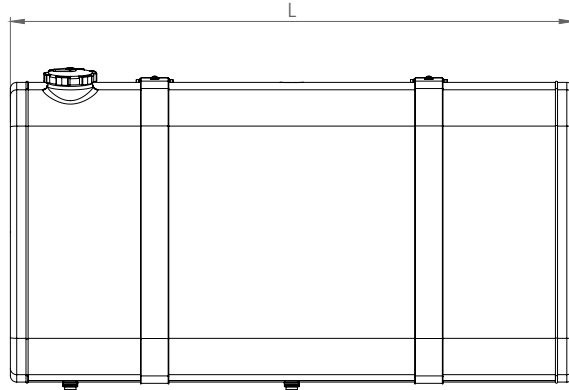
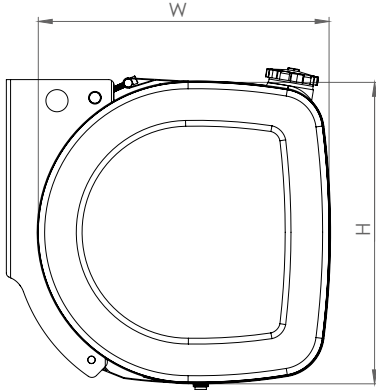
Montaj Kiti / Mounting Kit



ALÜMİNYUM
YAKIT
TANKLARI
ALUMINIUM
FUEL
TANKS

71x69





Seri no Serial no	Orijinal Kod OEM Code	Yükseklik (mm) Height (mm)	Genişlik (mm) Width (mm)	Uzunluk (mm) Lenght (mm)	Hacim (lt.) Capacity (lt)
AF 7169 043	20503502	710	690	430	165
AF 7169 053	20503503	710	690	530	205
AF 7169 071	24425785	710	690	710	280
AF 7169 083	20503504	710	690	830	325
AF 7169 093	20507744	710	690	930	360
AF 7169 103	20503505	710	690	1030	400
AF 7169 113	20503506	710	690	1130	445
AF 7169 123	20503507	710	690	1230	485
AF 7169 133	20503508	710	690	1330	530
AF 7169 143	20503509	710	690	1430	565
AF 7169 153	20503510	710	690	1530	605
AF 7169 163	20503511	710	690	1630	645
AF 7169 173	20503514	710	690	1730	685
AF 7169 183	20503516	710	690	1830	725
AF 7169 203	20503517	710	690	2030	805

Montaj Kiti / Mounting Kit



200080
Ayak/Bracket

Çelik
Steel



200083
Çember/Belt

Çelik
Steel



200227
Çember Lastiği
Belt Rubber

PVC
PVC



201766
Çember Pim Takımı/Belt Pim Sets

Çelik
Steel



000097
Depo Kapağı
Tank Cap

PVC
PVC



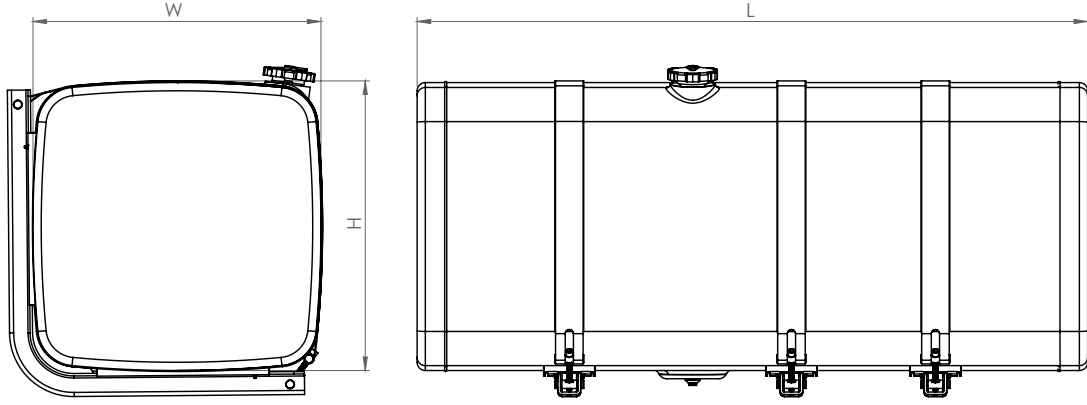
000175
Ayak Takozu/Bracket Rubber

PVC
PVC

ALÜMİNYUM
YAKIT
TANKLARI
ALUMINIUM
FUEL
TANKS

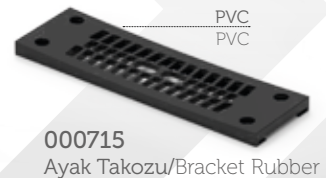
71x71





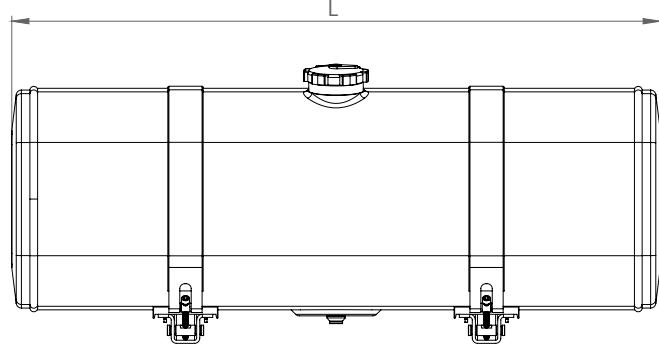
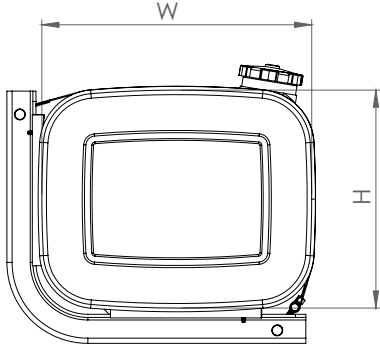
Seri no Serial no	Orijinal Kod OEM Code	Yükseklik (mm) Height (mm)	Genişlik (mm) Width (mm)	Uzunluk (mm) Lenght (mm)	Hacim (lt.) Capacity (lt)
AF 7171 046		710	710	460	200
AF 7171 070		710	710	700	330
AF 7171 085		710	710	850	400
AF 7171 095		710	710	950	450
AF 7171 106		710	710	1060	500
AF 7171 115		710	710	1150	550
AF 7171 125		710	710	1250	600
AF 7171 130		710	710	1300	630
AF 7171 145		710	710	1450	700
AF 7171 151		710	710	1510	730
AF 7171 163		710	710	1630	800
AF 7171 175		710	710	1750	850
AF 7171 185		710	710	1850	900
AF 7171 195		710	710	1950	950
AF 7171 205		710	710	2050	1000
AF 7171 215		710	710	2150	1050

Montaj Kiti / Mounting Kit



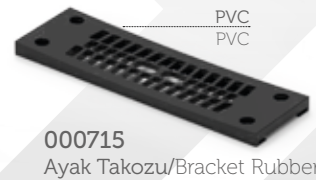
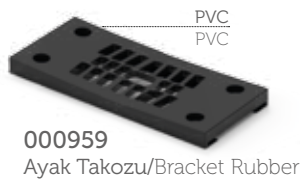
**ÇELİK
YAKIT
TANKLARI**
STEEL
FUEL
TANKS





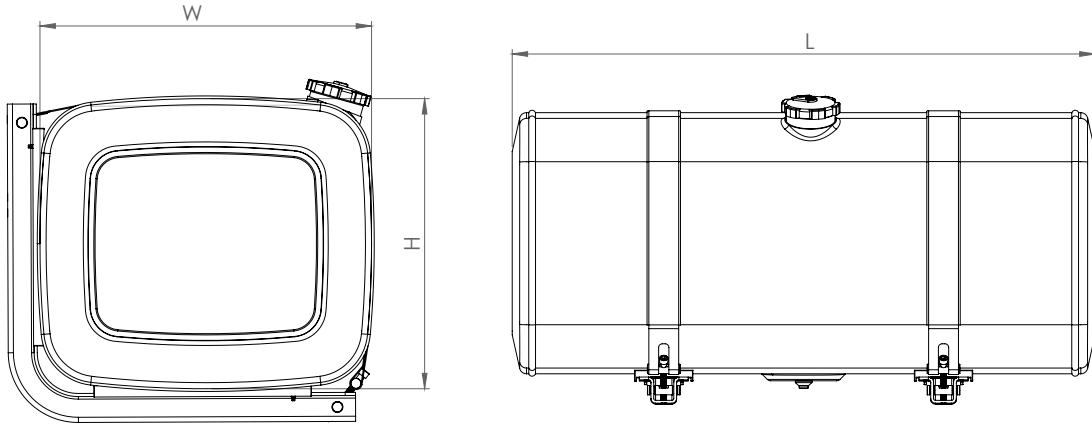
Seri no Serial no	Orijinal Kod OEM Code	Yükseklik (mm) Height (mm)	Genişlik (mm) Width (mm)	Uzunluk (mm) Length (mm)	Hacim (lt.) Capacity (lt)
SF 4252 050		420	520	50	90
SF 4252 085		420	520	850	160
SF 4252 110		420	520	1100	210
SF 4252 135		420	520	1350	260
SF 4252 160		420	520	1600	310
SF 4252 185		420	520	1850	360

Montaj Kiti / Mounting Kit



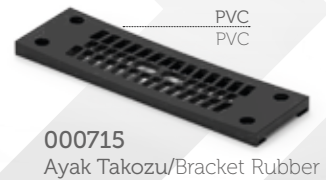
**ÇELİK
YAKIT
TANKLARI**
STEEL
FUEL
TANKS



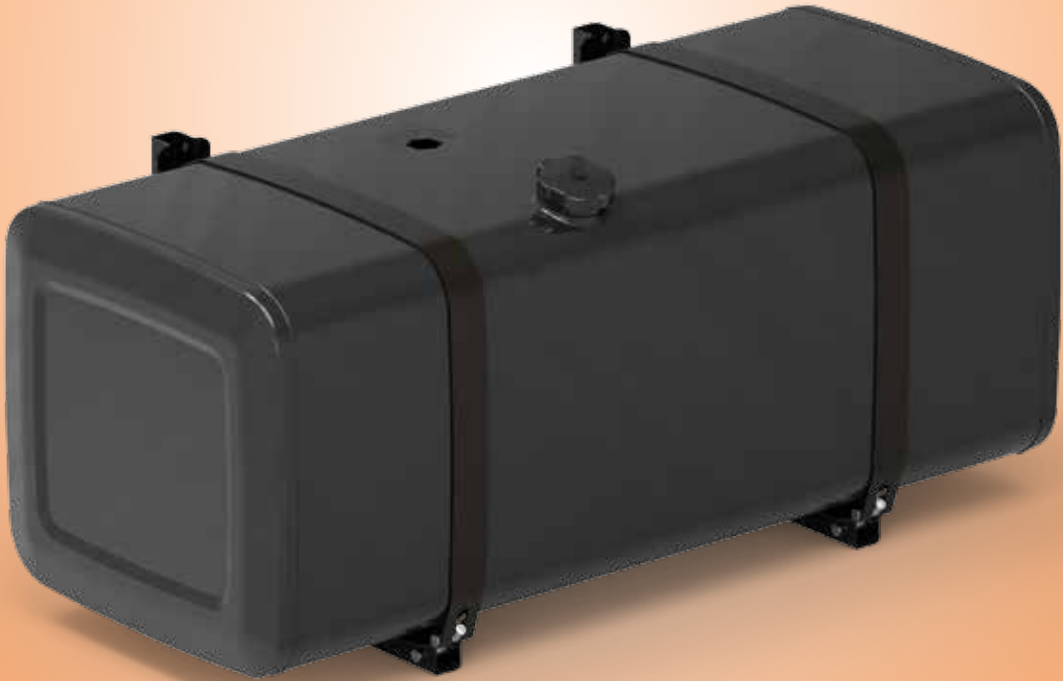


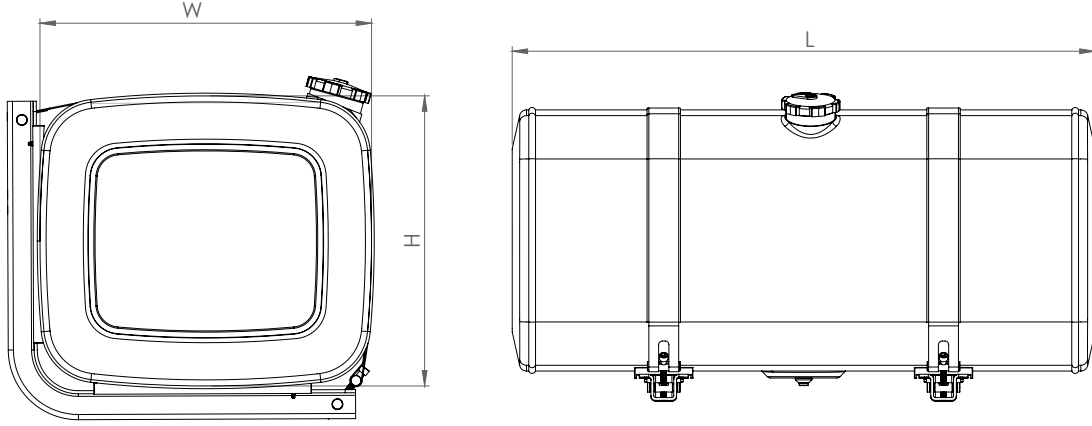
Seri no Serial no	Orijinal Kod OEM Code	Yükseklik (mm) Height (mm)	Genişlik (mm) Width (mm)	Uzunluk (mm) Lenght (mm)	Hacim (lt.) Capacity (lt)
SF 5664 073		560	640	730	230
SF 5664 094		560	640	940	300
SF 5664 125		560	640	1250	400
SF 5664 155		560	640	1550	500
SF 5664 180		560	640	1800	600
SF 5664 200		560	640	2000	700

Montaj Kiti / Mounting Kit



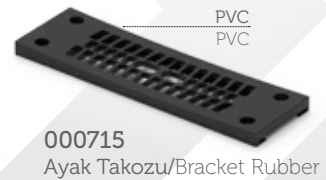
**ÇELİK
YAKIT
TANKLARI**
STEEL
FUEL
TANKS





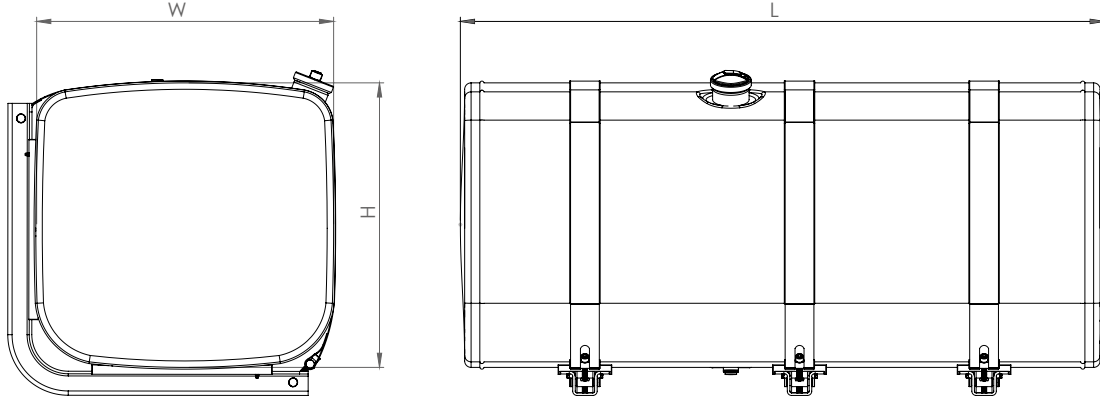
Seri no Serial no	Orjinal Kod OEM Code	Yükseklik (mm) Height (mm)	Geniřlik (mm) Width (mm)	Uzunluk (mm) Lenght (mm)	Hacim (lt.) Capacity (lt)
SF 6267 070		620	675	700	250
SF 6267 082		620	675	820	300
SF 6267 107		620	675	1070	400
SF 6267 135		620	675	1350	500
SF 6267 160		620	675	1600	600
SF 6267 185		620	675	1850	700
SF 6267 200		620	675	2000	750
SF 6267 208		620	675	2080	780
SF 6267 215		620	675	2150	850

Montaj Kiti / Mounting Kit



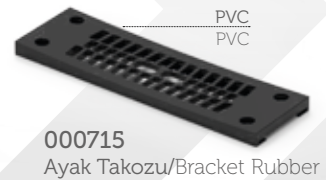
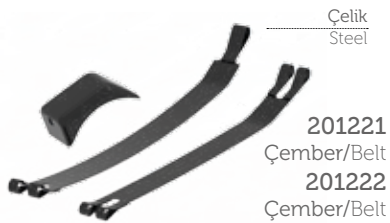
**ÇELİK
YAKIT
TANKLARI**
STEEL
FUEL
TANKS





Seri no Serial no	Orijinal Kod OEM Code	Yükseklik (mm) Height (mm)	Genişlik (mm) Width (mm)	Uzunluk (mm) Lenght (mm)	Hacim (lt.) Capacity (lt)
SF 6770 040		670	700	400	150
SF 6770 050		670	700	500	200
SF 6770 073		670	700	730	300
SF 6770 086		670	700	860	350
SF 6770 100		670	700	1000	400
SF 6770 119		670	700	1190	465
SF 6770 126		670	700	1260	500
SF 6770 151		670	700	1510	600
SF 6770 162		670	700	1620	700

Montaj Kiti / Mounting Kit

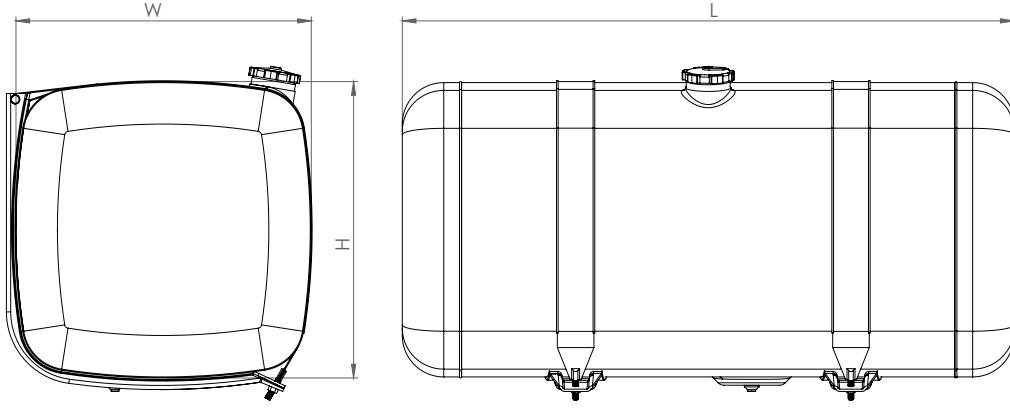


**ÇELİK
YAKIT
TANKLARI**
STEEL
FUEL
TANKS



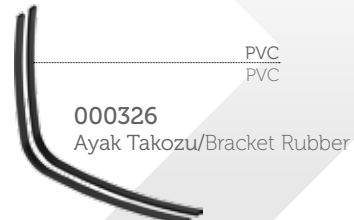
69X69





Seri no Serial no	Orijinal Kod OEM Code	Yükseklik (mm) Height (mm)	Genişlik (mm) Width (mm)	Uzunluk (mm) Lenght (mm)	Hacim (lt.) Capacity (lt)
SF 6969 065		690	690	650	280
SF 6969 076		690	690	760	300
SF 6969 090		690	690	900	400
SF 6969 107		690	690	1070	450
SF 6969 123		690	690	1230	550
SF 6969 150		690	690	1500	650
SF 6969 175		690	690	1750	780
SF 6969 200		690	690	2000	900
SF 6969 225		690	690	2250	1000

Montaj Kiti / Mounting Kit

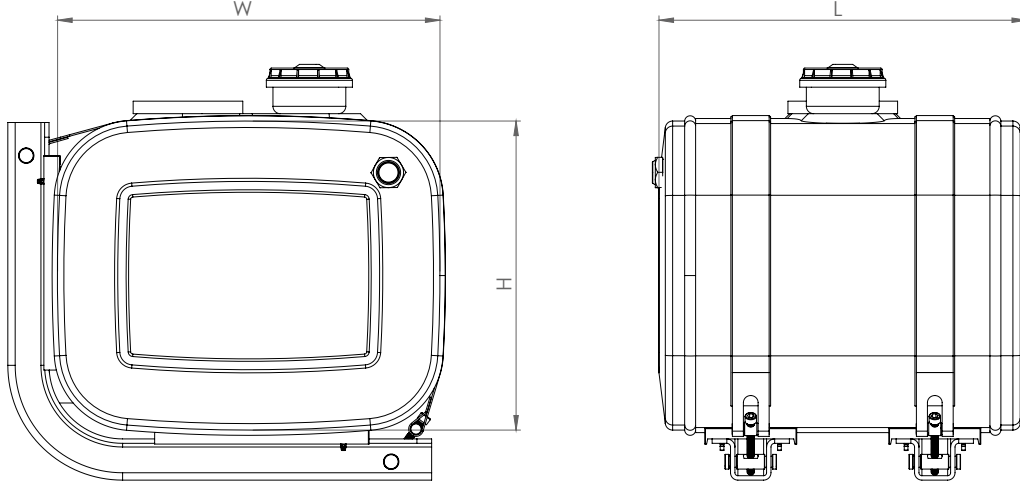


ALÜMİNYUM
YAĞ
TANKLARI
ALUMINIUM
OIL
TANKS



42x52
SIDE MOUNTED





Seri no Serial no	Yükseklik (mm) Height (mm)	Genişlik (mm) Width (mm)	Uzunluk (mm) Length (mm)	Hacim (lt.) Capacity (lt)
AS 4252 040	420	520	400	75
AS 4252 050	420	520	500	90
AS 4252 060	420	520	600	110

Montaj Kiti / Mounting Kit

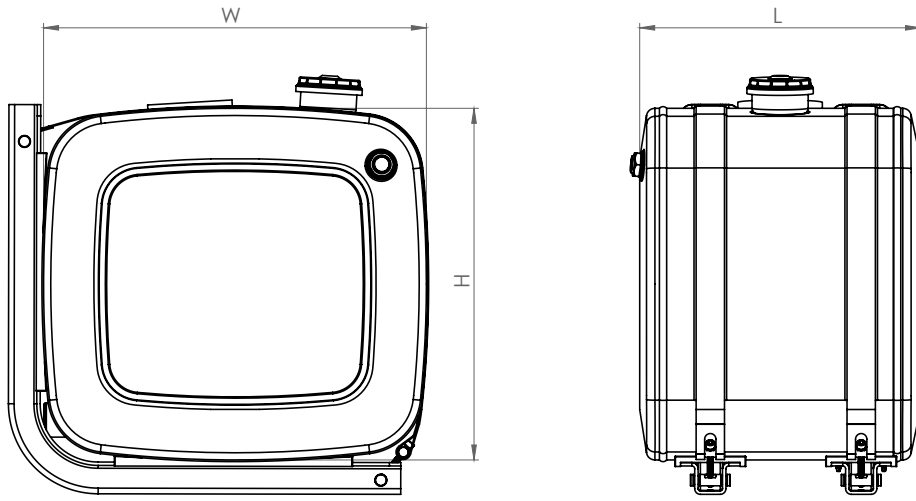


ALÜMİNYUM
YAĞ
TANKLARI
ALUMINIUM
OIL
TANKS



56X64
SIDE MOUNTED





Seri no Serial no	Yükseklik (mm) Height (mm)	Genişlik (mm) Width (mm)	Uzunluk (mm) Length (mm)	Hacim (lt.) Capacity (lt)
AS 5664 040	560	640	400	120
AS 5664 050	560	640	500	160
AS 5664 060	560	640	600	190

Montaj Kiti / Mounting Kit

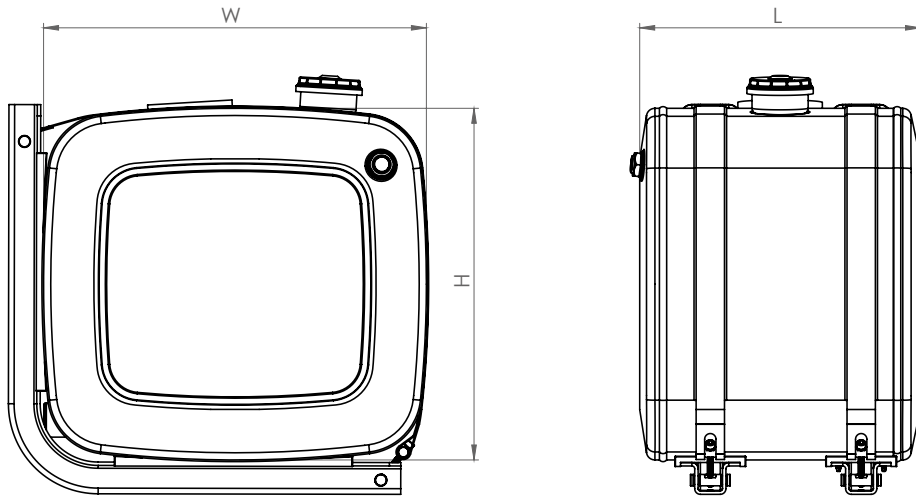


ALÜMİNYUM
YAĞ
TANKLARI
ALUMINIUM
OIL
TANKS



62X67
SIDE MOUNTED





Seri no Serial no	Yükseklik (mm) Height (mm)	Genişlik (mm) Width (mm)	Uzunluk (mm) Length (mm)	Hacim (lt.) Capacity (lt)
AS 6267 040	620	670	400	150
AS 6267 050	620	670	500	180
AS 6267 060	620	670	600	220

Montaj Kiti / Mounting Kit

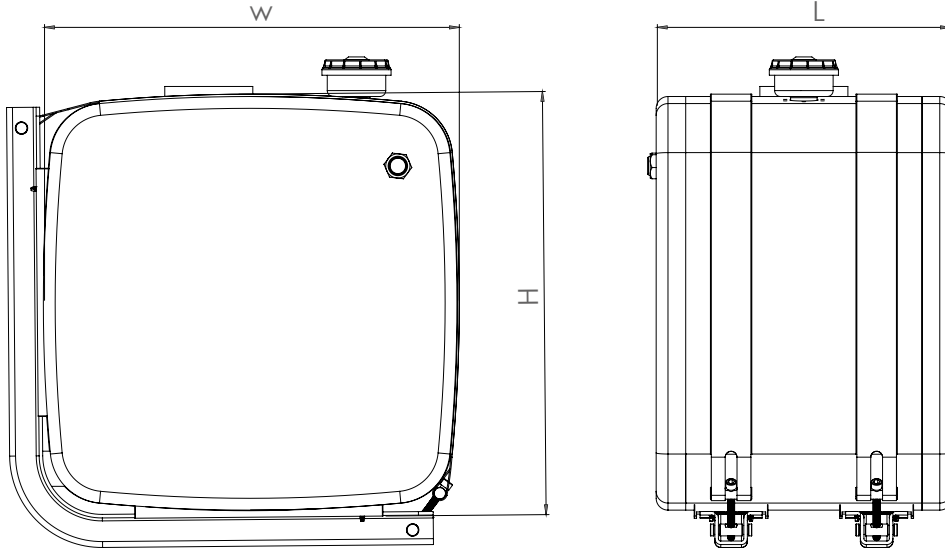


ALÜMİNYUM
YAĞ
TANKLARI
ALUMINIUM
OIL
TANKS



69X69
SIDE MOUNTED





Seri no Serial no	Yükseklik (mm) Height (mm)	Genişlik (mm) Width (mm)	Uzunluk (mm) Length (mm)	Hacim (lt.) Capacity (lt)
AS 6969 040	690	690	400	160
AS 6969 050	690	690	500	200
AS 6969 060	690	690	600	240

Montaj Kiti / Mounting Kit

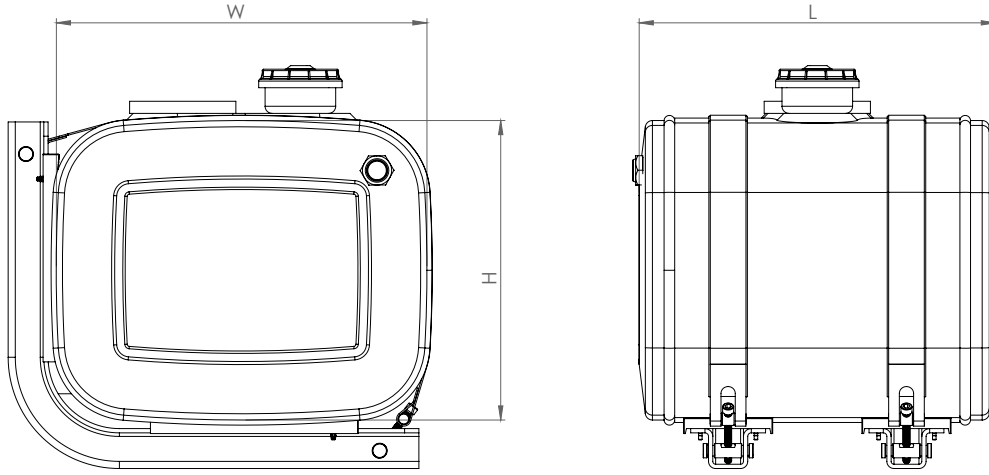


**ÇELİK
YAĞ
TANKLARI**
STEEL
OIL
TANKS



42X52
SIDE MOUNTED





Seri no Serial no	Yükseklik (mm) Height (mm)	Genişlik (mm) Width (mm)	Uzunluk (mm) Length (mm)	Hacim (lt.) Capacity (lt)
SS 4252 040	420	520	400	75
SS 4252 050	420	520	500	90
SS 4252 060	420	520	600	110

Montaj Kiti / Mounting Kit

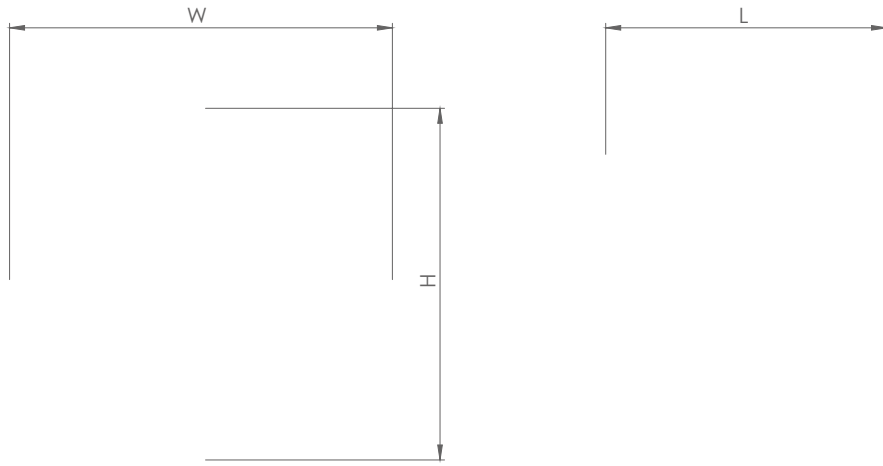


**ÇELİK
YAĞ
TANKLARI**
STEEL
OIL
TANKS



56X64
SIDE MOUNTED





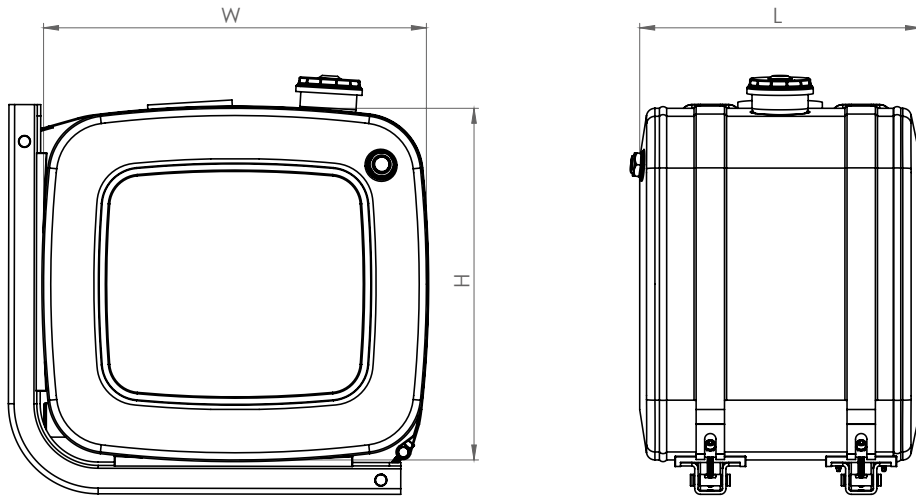
Seri no Serial no	Yükseklik (mm) Height (mm)	Genişlik (mm) Width (mm)	Uzunluk (mm) Lenght (mm)	Hacim (lt.) Capacity (lt)
SS 5664 040	560	640	400	120
SS 5664 050	560	640	500	160
SS 5664 060	560	640	600	190

**ÇELİK
YAĞ
TANKLARI**
STEEL
OIL
TANKS



62X67
SIDE MOUNTED





Seri no Serial no	Yükseklik (mm) Height (mm)	Genişlik (mm) Width (mm)	Uzunluk (mm) Length (mm)	Hacim (lt.) Capacity (lt)
SS 6267 040	620	670	400	150
SS 6267 050	620	670	500	180
SS 6267 060	620	670	600	220

Montaj Kiti / Mounting Kit

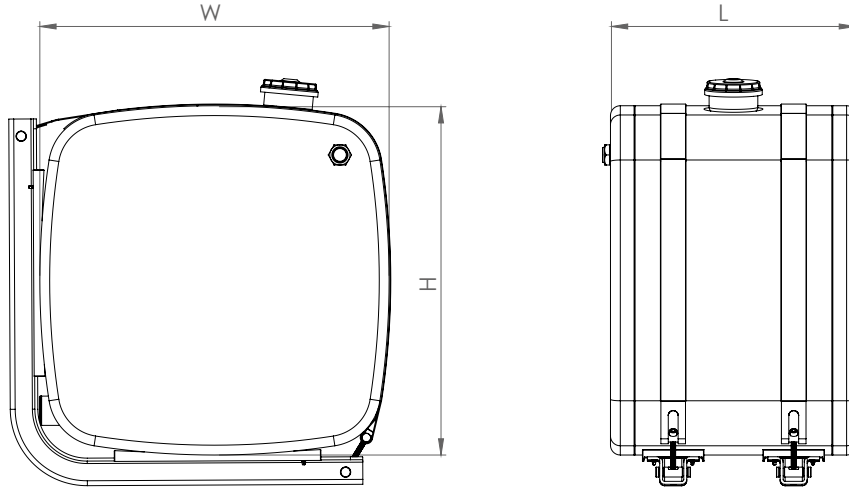


**ÇELİK
YAĞ
TANKLARI**
STEEL
OIL
TANKS



69X69
SIDE MOUNTED





Seri no Serial no	Yükseklik (mm) Height (mm)	Genişlik (mm) Width (mm)	Uzunluk (mm) Length (mm)	Hacim (lt.) Capacity (lt)
SS 6969 040	690	690	400	160
SS 6969 050	690	690	500	200
SS 6969 060	690	690	600	240

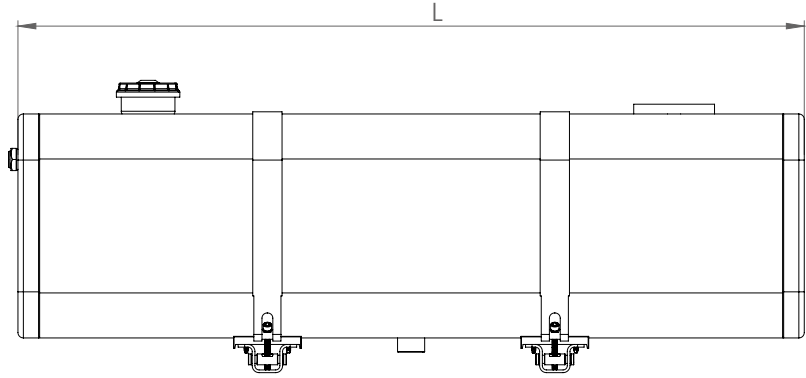
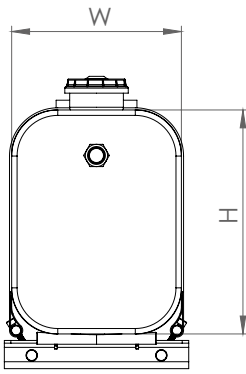
Montaj Kiti / Mounting Kit



ALÜMİNYUM
YAĞ
TANKLARI
ALUMINIUM
OIL
TANKS

31X41
REAR MOUNTED





Seri no Serial no	Yükseklik (mm) Height (mm)	Genişlik (mm) Width (mm)	Uzunluk (mm) Length (mm)	Hacim (lt.) Capacity (lt)
AR 3141 060	410	310	600	65
AR 3141 075	410	310	750	75
AR 3141 115	410	310	1150	125
AR 3141 140	410	310	1400	150

Montaj Kiti / Mounting Kit



200494
Ayak/Bracket



200198
Çember/Belt



201613
Çember/Belt



200197
Çember Lastiği
Belt Rubber



201557
Çember Pim Takımı/Belt Pim Sets



200446
Depo Kapağı Tank Cap

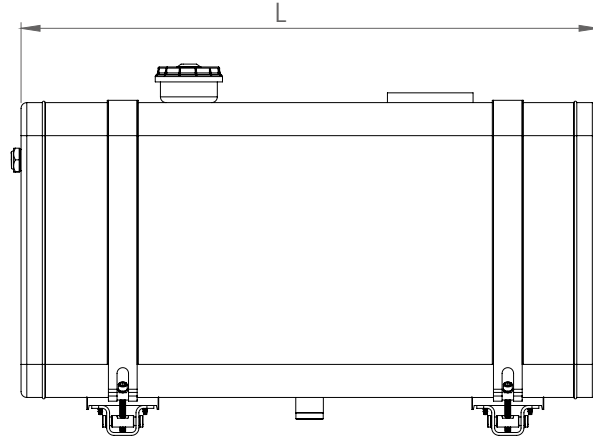
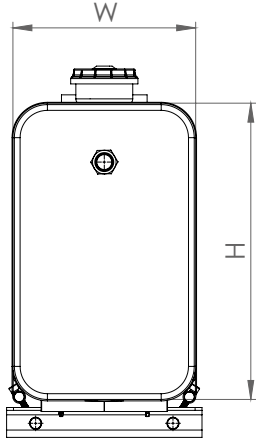


000959
Ayak Takozu/Bracket Rubber

ALÜMİNYUM
YAĞ
TANKLARI
ALUMINIUM
OIL
TANKS

31X51
REAR MOUNTED





Seri no Serial no	Yükseklik (mm) Height (mm)	Genişlik (mm) Width (mm)	Uzunluk (mm) Length (mm)	Hacim (lt.) Capacity (lt)
AR 3151 068	510	310	680	90
AR 3151 077	510	310	770	100
AR 3151 085	510	310	850	110
AR 3151 100	510	310	1000	135
AR 3151 110	510	310	1100	150
AR 3151 125	510	310	1250	180

Montaj Kiti / Mounting Kit



200494
Ayak/Bracket



200898
Çember/Belt



201163
Çember/Belt



200228
Çember Lastiği
Belt Rubber



201557
Çember Pim Takımı/Belt Pim Sets



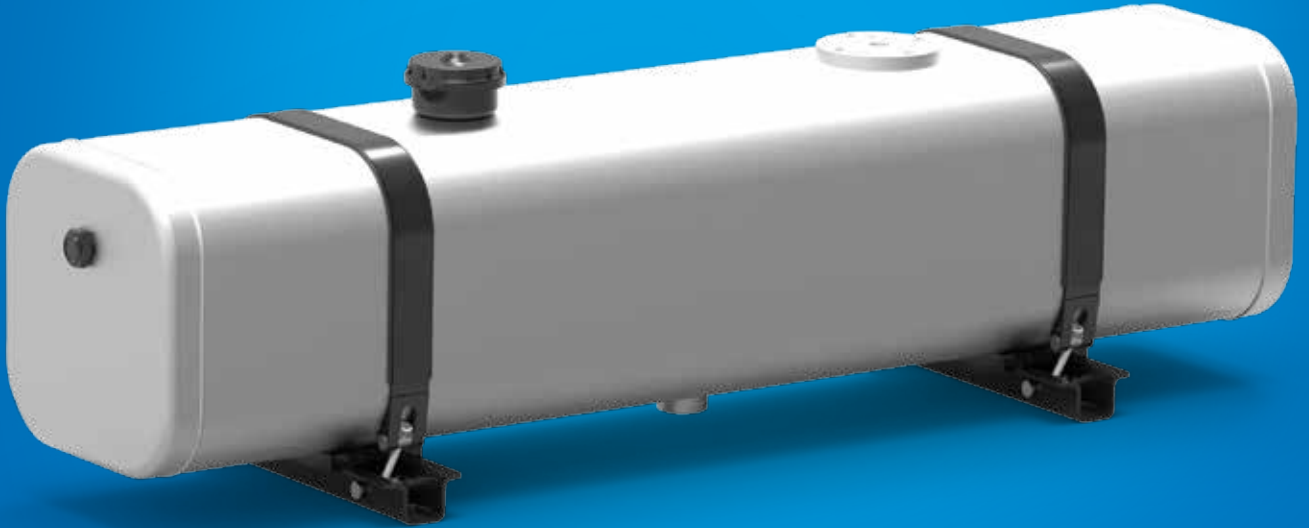
200446
Depo Kapağı Tank Cap

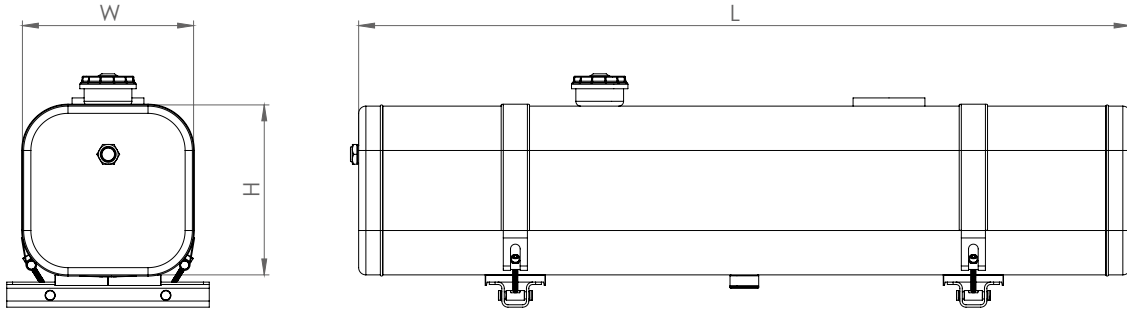


000959
Ayak Takozu/Bracket Rubber

ALÜMİNYUM
YAĞ
TANKLARI
ALUMINIUM
OIL
TANKS

35X35
REAR MOUNTED





Seri no Serial no	Yükseklik (mm) Height (mm)	Genişlik (mm) Width (mm)	Uzunluk (mm) Lenght (mm)	Hacim (lt.) Capacity (lt)
AR 3535 065	350	350	650	65
AR 3535 100	350	350	1000	100
AR 3535 130	350	350	1300	135
AR 3535 160	350	350	1600	165

Montaj Kiti / Mounting Kit



200117
Ayak/Bracket



200119
Çember/Belt



200172
Çember/Belt



200144
Çember Lastiği
Belt Rubber



201557
Çember Pim Takımı/Belt Pim Sets



200446
Depo Kapağı Tank Cap



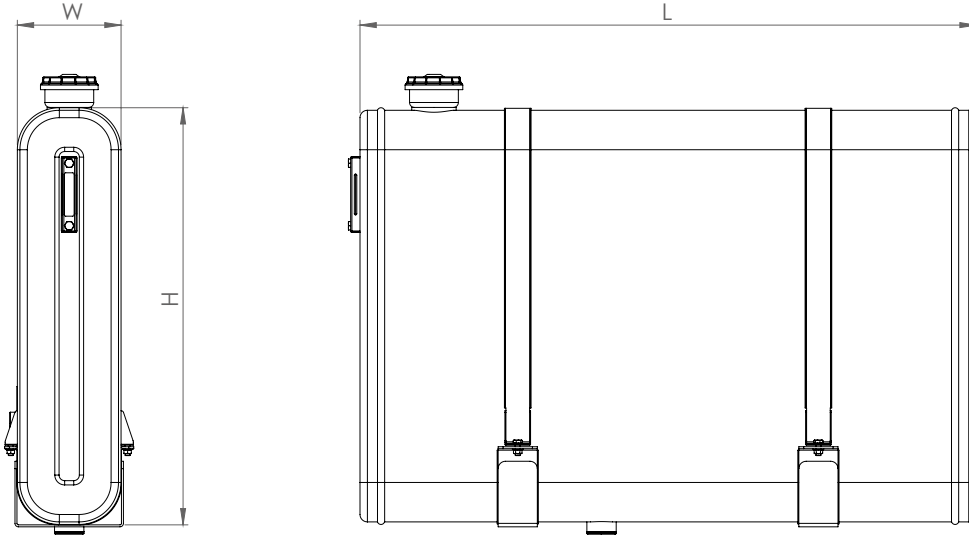
000959
Ayak Takozu/Bracket Rubber

ALÜMİNYUM
YAĞ
TANKLARI
ALUMINIUM
OIL
TANKS



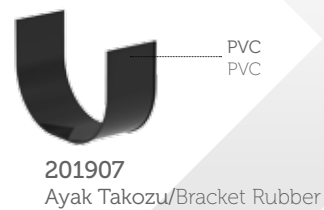
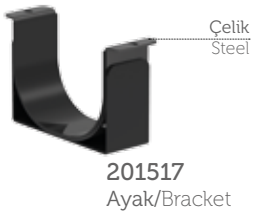
23X83
REAR MOUNTED





Seri no Serial no	Yükseklik (mm) Height (mm)	Genişlik (mm) Width (mm)	Uzunluk (mm) Lenght (mm)	Hacim (lt.) Capacity (lt)
AR 2383 070	830	230	700	95
AR 2383 085	830	230	850	120
AR 2383 110	830	230	1100	155
AR 2383 125	830	230	1250	175

Montaj Kiti / Mounting Kit

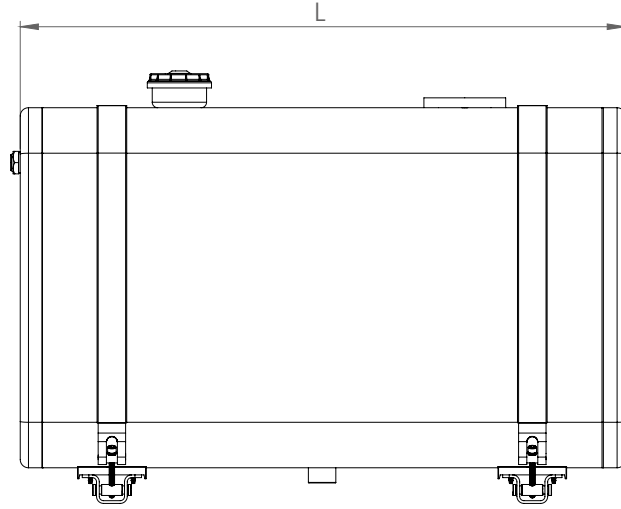
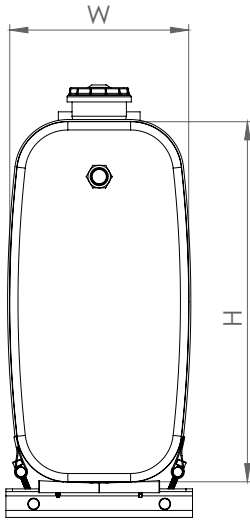


ALÜMİNYUM
YAĞ
TANKLARI
ALUMINIUM
OIL
TANKS



32X65
REAR MOUNTED





Seri no Serial no	Yükseklik (mm) Height (mm)	Genişlik (mm) Width (mm)	Uzunluk (mm) Length (mm)	Hacim (lt.) Capacity (lt)
AR 3265 065	650	320	650	120
AR 3265 090	650	320	900	170
AR 3265 110	650	320	1100	205
AR 3265 125	650	320	1250	235

Montaj Kiti / Mounting Kit



200494
Çelik
Ayak/Bracket



200530
Çelik
Çember/Belt



200968
Paslanmaz Çelik
Çember/Belt



200391
PVC
Çember Lastiği
Belt Rubber



201557
Çember Pim Takımı/Belt Pim Sets



200446
Depo Kapağı/Tank Cap

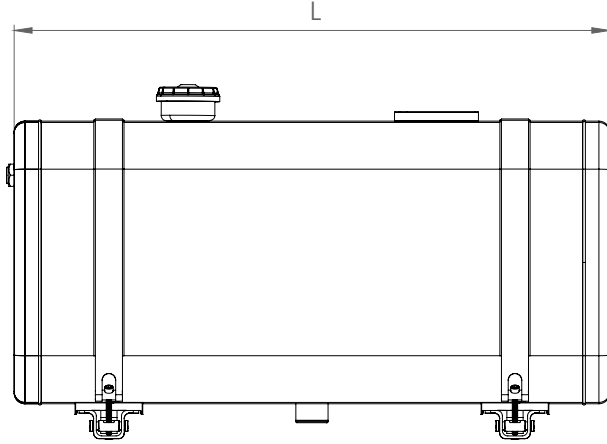
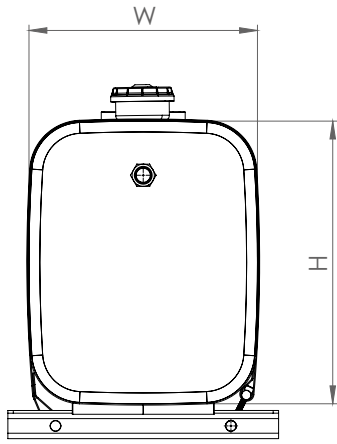


000959
PVC
Ayak Takozu/Bracket Rubber

ALÜMİNYUM
YAĞ
TANKLARI
ALUMINIUM
OIL
TANKS

42X52
REAR MOUNTED





Seri no Serial no	Yükseklik (mm) Height (mm)	Genişlik (mm) Width (mm)	Uzunluk (mm) Length (mm)	Hacim (lt.) Capacity (lt)
AR 4252 079	520	420	790	140
AR 4252 089	520	420	890	160
AR 4252 098	520	420	980	180
AR 4252 110	520	420	1100	200
AR 4252 125	520	420	1250	230

Montaj Kiti / Mounting Kit



200867
Ayak/Bracket



200110
Çember/Belt



200174
Çember/Belt



200111
Çember Lastiği
Belt Rubber



201557
Çember Pim Takımı/Belt Pim Sets



200446
Depo Kapağı Tank Cap

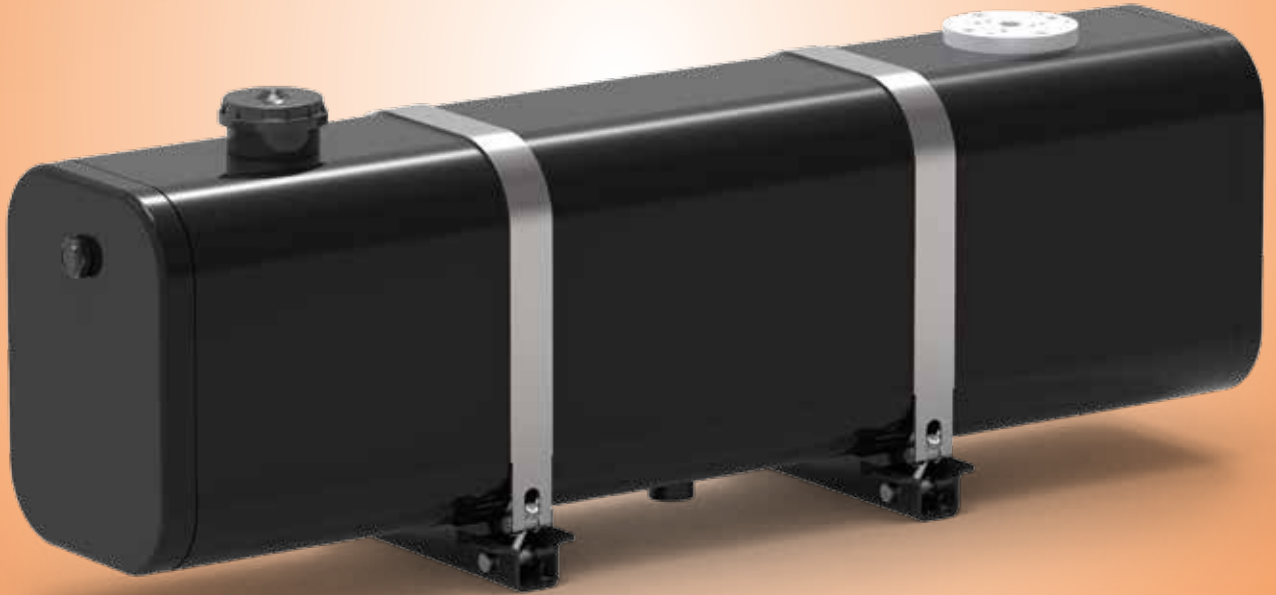


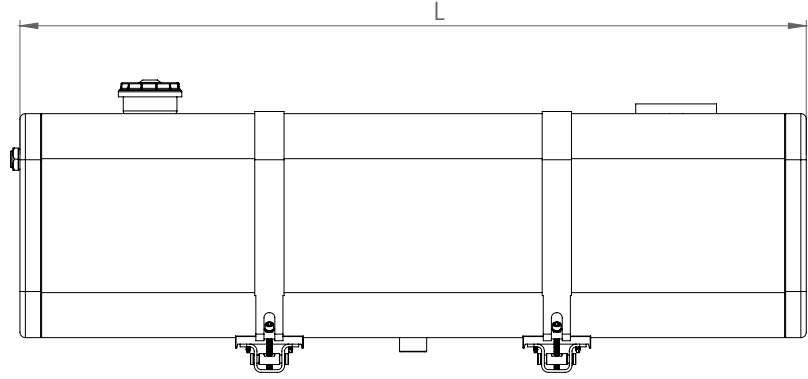
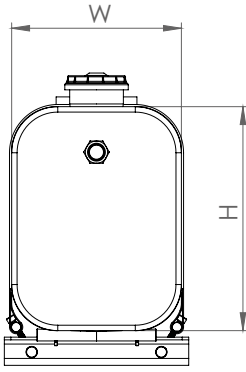
000715
Ayak Takozu/Bracket Rubber

**ÇELİK
YAĞ
TANKLARI**
STEEL
OIL
TANKS



31X41
REAR MOUNTED





Seri no Serial no	Yükseklik (mm) Height (mm)	Genişlik (mm) Width (mm)	Uzunluk (mm) Length (mm)	Hacim (lt.) Capacity (lt)
SR 3141 060	410	310	600	65
SR 3141 075	410	310	750	75
SR 3141 115	410	310	1150	125
SR 3141 140	410	310	1400	150

Montaj Kiti / Mounting Kit



200494
Ayak/Bracket



200198
Çember/Belt



201613
Çember/Belt



200197
Çember Lastiği
Belt Rubber



201557
Çember Pim Takımı/Belt Pim Sets



200446
Depo Kapağı Tank Cap



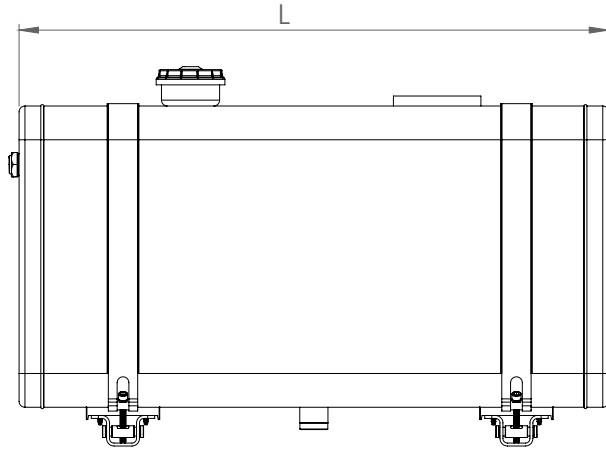
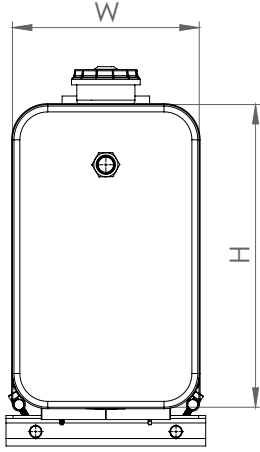
000959
Ayak Takozu/Bracket Rubber

**ÇELİK
YAĞ
TANKLARI**
STEEL
OIL
TANKS



31X51
REAR MOUNTED





Seri no Serial no	Yükseklik (mm) Height (mm)	Genişlik (mm) Width (mm)	Uzunluk (mm) Length (mm)	Hacim (lt.) Capacity (lt)
SR 3151 068	510	310	680	90
SR 3151 077	510	310	770	100
SR 3151 085	510	310	850	110
SR 3151 100	510	310	1000	135
SR 3151 110	510	310	1100	150
SR 3151 125	510	310	1250	180

Montaj Kiti / Mounting Kit



200494
Ayak/Bracket



200898
Çember/Belt



201163
Çember/Belt



200228
Çember Lastiği
Belt Rubber



201557
Çember Pim Takımı/Belt Pim Sets



200446
Depo Kapağı Tank Cap

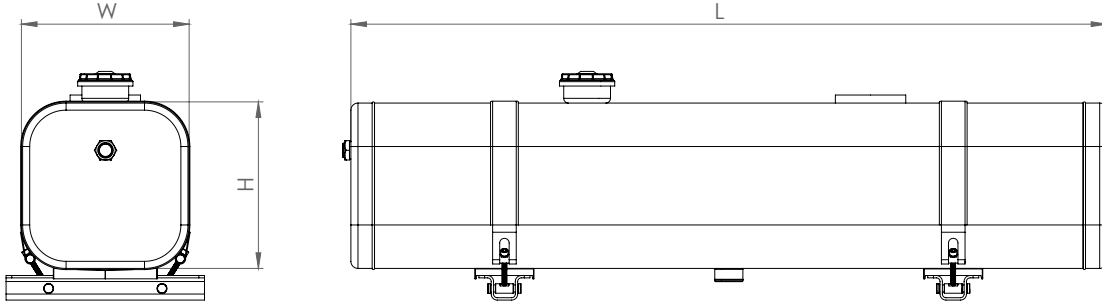


000959
Ayak Takozu/Bracket Rubber

**ÇELİK
YAĞ
TANKLARI**
STEEL
OIL
TANKS

35X35
REAR MOUNTED





Seri no Serial no	Yükseklik (mm) Height (mm)	Genişlik (mm) Width (mm)	Uzunluk (mm) Lenght (mm)	Hacim (lt.) Capacity (lt)
SR 3535 065	350	350	650	65
SR 3535 100	350	350	1000	100
SR 3535 130	350	350	1300	135
SR 3535 160	350	350	1600	165

Montaj Kiti / Mounting Kit



200117
Ayak/Bracket



200119
Çember/Belt



200172
Çember/Belt



200144
Çember Lastiği
Belt Rubber



201557
Çember Pim Takımı/Belt Pim Sets



200446
Depo Kapağı Tank Cap



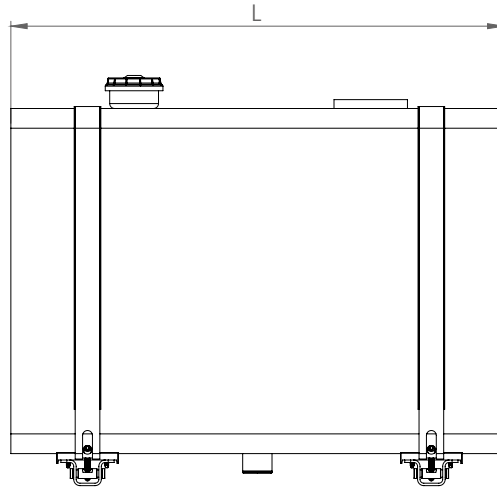
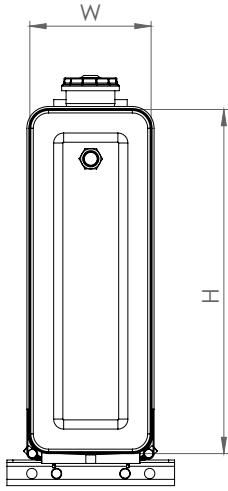
000959
Ayak Takozu/Bracket Rubber

**ÇELİK
YAĞ
TANKLARI**
STEEL
OIL
TANKS



25X70
REAR MOUNTED





Seri no Serial no	Yükseklik (mm) Height (mm)	Genişlik (mm) Width (mm)	Uzunluk (mm) Length (mm)	Hacim (lt.) Capacity (lt)
SR 2570 070	700	250	700	100
SR 2570 085	700	250	850	130
SR 2570 100	700	250	1000	150
SR 2570 120	700	250	1200	190

Montaj Kiti / Mounting Kit



200494
Ayak/Bracket

Çelik
Steel



200223
Çember/Belt

Çelik
Steel



201902
Çember/Belt

Paslanmaz Çelik
Stainless Steel



200956
Çember Lastiği
Belt Rubber

PVC
PVC



201557
Çember Pim Takımı/Belt Pim Sets

Çelik
Steel



200446
Depo Kapağı Tank Cap

PVC
PVC



000959
Ayak Takozu/Bracket Rubber

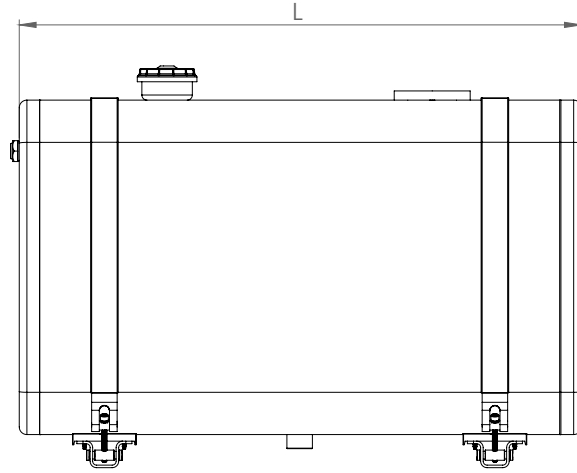
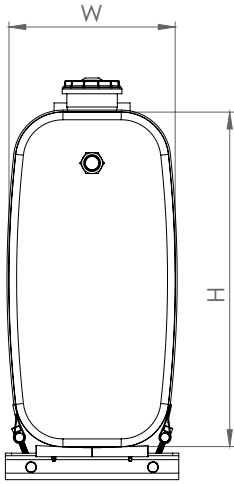
PVC
PVC

**ÇELİK
YAĞ
TANKLARI**
STEEL
OIL
TANKS



32X65
REAR MOUNTED





Seri no Serial no	Yükseklik (mm) Height (mm)	Genişlik (mm) Width (mm)	Uzunluk (mm) Length (mm)	Hacim (lt.) Capacity (lt)
SR 3265 065	650	320	650	120
SR 3265 090	650	320	900	170
SR 3265 110	650	320	1100	205
SR 3265 125	650	320	1250	235

Montaj Kiti / Mounting Kit



200494
Çelik
Steel
Ayak/Bracket



200530
Çelik
Steel
Çember/Belt



200968
Paslanmaz Çelik
Stainless Steel
Çember/Belt



200391
PVC
PVC
Çember Lastiği
Belt Rubber



201557
Çelik
Steel
Çember Pim Takımı/Belt Pim Sets



200446
PVC
PVC
Depo Kapağı Tank Cap



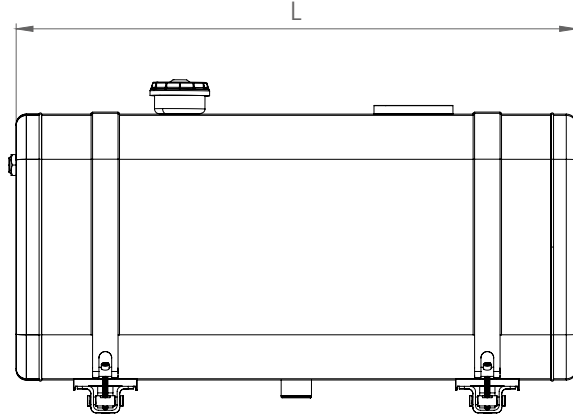
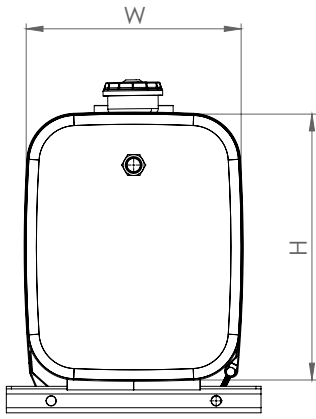
000959
PVC
PVC
Ayak Takozu/Bracket Rubber

**ÇELİK
YAĞ
TANKLARI**
STEEL
OIL
TANKS



42X52
REAR MOUNTED





Seri no Serial no	Yükseklik (mm) Height (mm)	Genişlik (mm) Width (mm)	Uzunluk (mm) Length (mm)	Hacim (lt.) Capacity (lt)
SR 4252 079	520	420	790	140
SR 4252 089	520	420	890	160
SR 4252 098	520	420	980	180
SR 4252 110	520	420	1100	200
SR 4252 125	520	420	1250	230

Montaj Kiti / Mounting Kit



200867
Ayak/Bracket



200110
Çember/Belt



200174
Çember/Belt



200111
Çember Lastiği
Belt Rubber



201557
Çember Pim Takımı/Belt Pim Sets



200446
Depo Kapağı Tank Cap

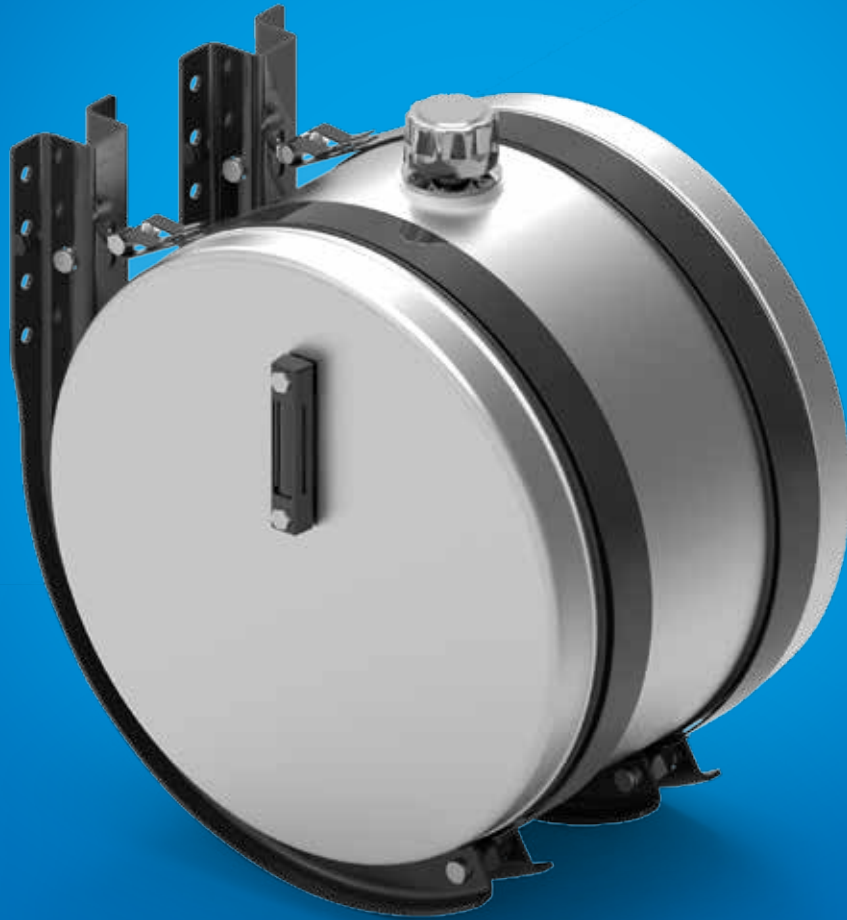


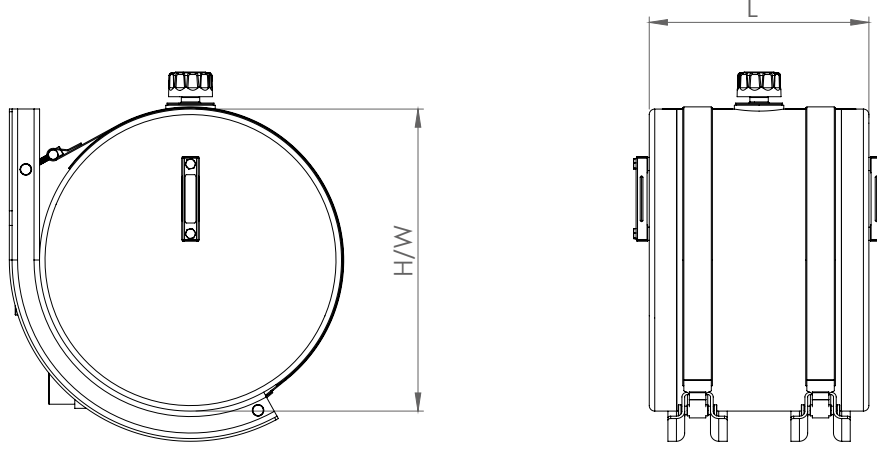
000715
Ayak Takozu/Bracket Rubber

ALÜMİNYUM
YAĞ
TANKLARI
ALUMINIUM
OIL
TANKS



Ø400
SIDE MOUNTED





Seri no Serial no	Yükseklik (mm) Height (mm)	Genişlik (mm) Width (mm)	Uzunluk (mm) Length (mm)	Hacim (lt.) Capacity (lt)
AS 400 035		Ø400	350	40
AS 400 050		Ø400	500	60
AS 400 065		Ø400	650	80
AS 400 080		Ø400	800	100
AS 400 100		Ø400	1000	120

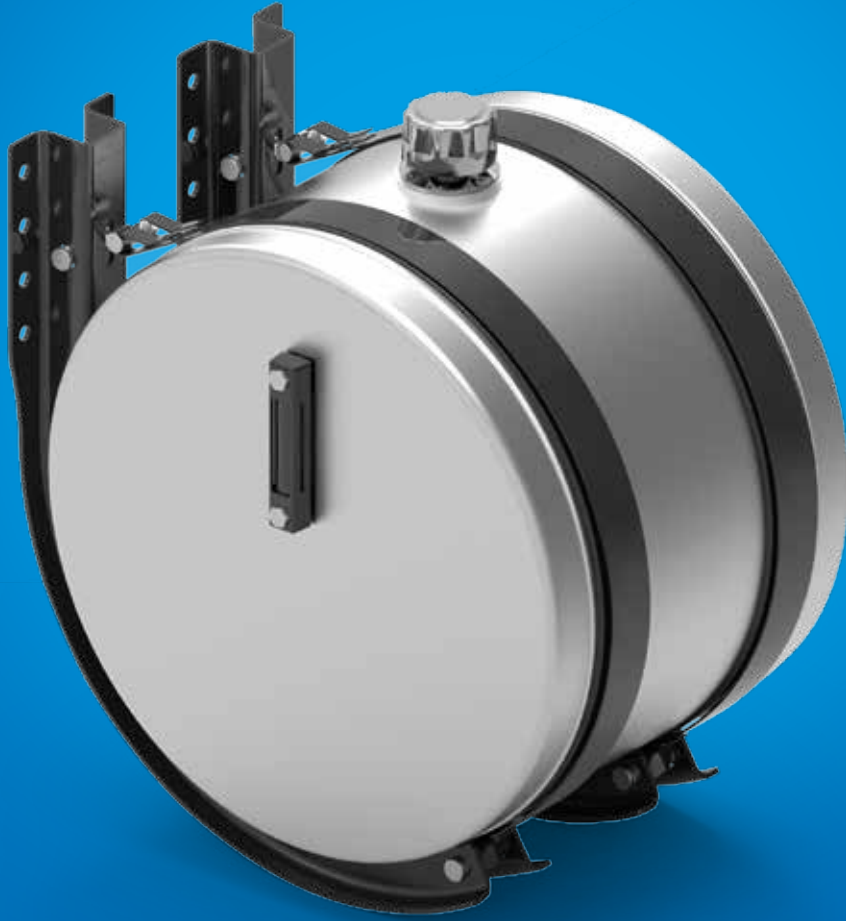
Montaj Kiti / Mounting Kit

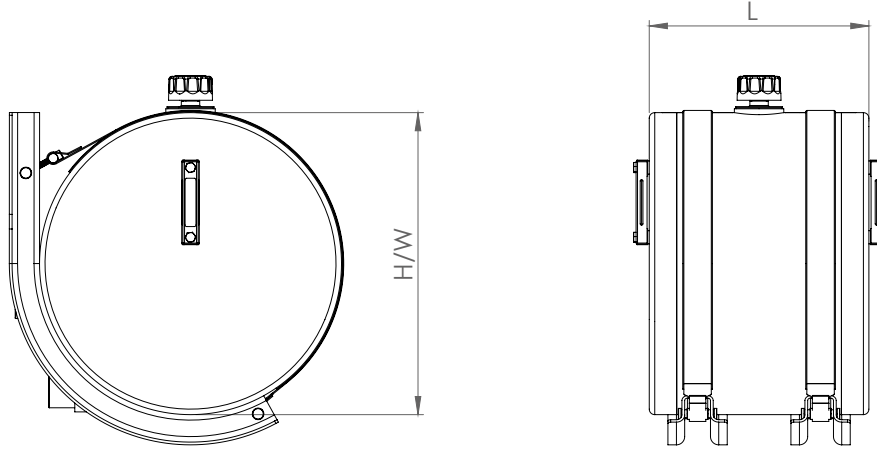


ALÜMİNYUM
YAĞ
TANKLARI
ALUMINIUM
OIL
TANKS



Ø550
SIDE MOUNTED





Seri no Serial no	Yükseklik (mm) Height (mm)	Genişlik (mm) Width (mm)	Uzunluk (mm) Length (mm)	Hacim (lt.) Capacity (lt)
AS 550 027		Ø550	270	60
AS 550 035		Ø550	350	80
AS 550 052		Ø550	520	120
AS 550 065		Ø550	650	150
AS 550 085		Ø550	850	200

Montaj Kiti / Mounting Kit

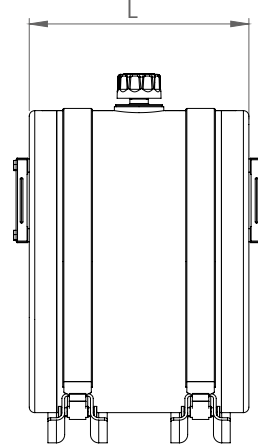
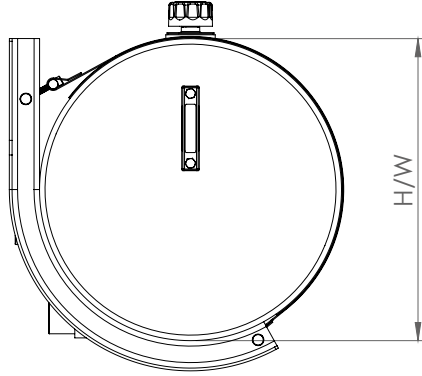


ALÜMİNYUM
YAĞ
TANKLARI
ALUMINIUM
OIL
TANKS



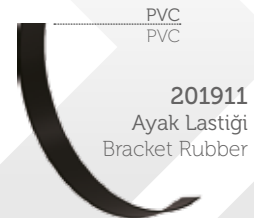
Ø620
SIDE MOUNTED





Seri no Serial no	Yükseklik (mm) Height (mm)	Genişlik (mm) Width (mm)	Uzunluk (mm) Length (mm)	Hacim (lt.) Capacity (lt)
AS 620 045		Ø620	450	130
AS 620 055		Ø620	550	160
AS 620 070		Ø620	700	200
AS 620 077		Ø620	770	230
AS 620 085		Ø620	850	250

Montaj Kiti / Mounting Kit

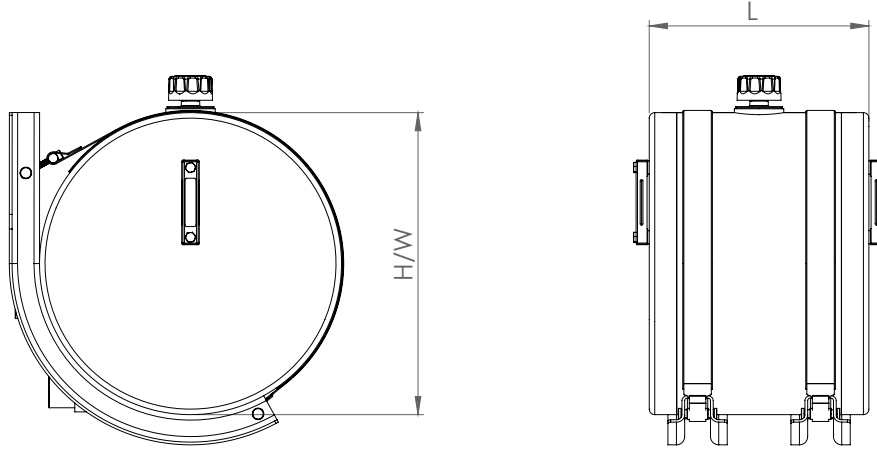


ALÜMİNYUM
YAĞ
TANKLARI
ALUMINIUM
OIL
TANKS



Ø660
SIDE MOUNTED





Seri no Serial no	Yükseklik (mm) Height (mm)	Genişlik (mm) Width (mm)	Uzunluk (mm) Length (mm)	Hacim (lt.) Capacity (lt)
AS 660 045		Ø660	450	150
AS 660 055		Ø660	550	180
AS 660 065		Ø660	650	220
AS 660 075		Ø660	750	250
AS 660 090		Ø660	900	300

Montaj Kiti / Mounting Kit

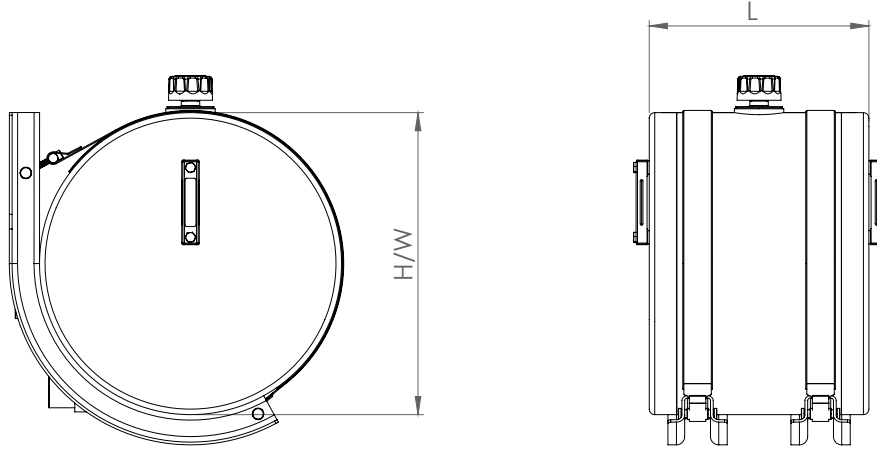


**ÇELİK
YAĞ
TANKLARI**
STEEL
OIL
TANKS



Ø400
SIDE MOUNTED





Seri no Serial no	Yükseklik (mm) Height (mm)	Genişlik (mm) Width (mm)	Uzunluk (mm) Length (mm)	Hacim (lt.) Capacity (lt)
SS 400 035		Ø400	350	40
SS 400 050		Ø400	500	60
SS 400 065		Ø400	650	80
SS 400 080		Ø400	800	100
SS 400 100		Ø400	1000	120

Montaj Kiti / Mounting Kit

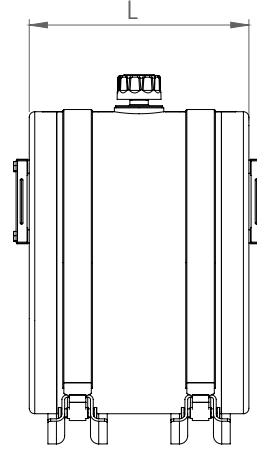
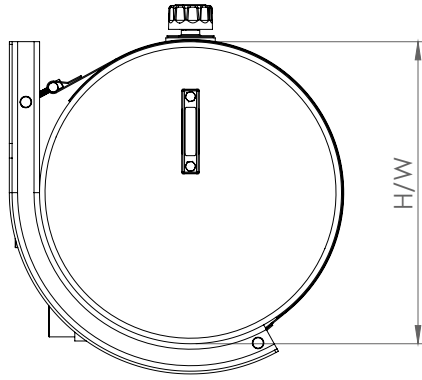


**ÇELİK
YAĞ
TANKLARI**
STEEL
OIL
TANKS



Ø550
SIDE MOUNTED





Seri no Serial no	Yükseklik (mm) Height (mm)	Genişlik (mm) Width (mm)	Uzunluk (mm) Lenght (mm)	Hacim (lt.) Capacity (lt)
SS 550 027	Ø550		270	60
SS 550 035	Ø550		350	80
SS 550 052	Ø550		520	120
SS 550 065	Ø550		650	150
SS 550 085	Ø550		850	200

Montaj Kiti / Mounting Kit

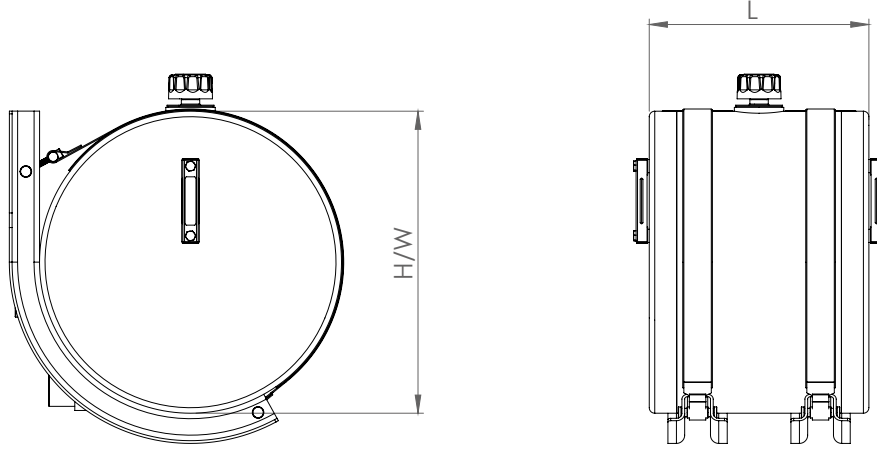


**ÇELİK
YAĞ
TANKLARI**
STEEL
OIL
TANKS



Ø620
SIDE MOUNTED





Seri no Serial no	Yükseklik (mm) Height (mm)	Genişlik (mm) Width (mm)	Uzunluk (mm) Lenght (mm)	Hacim (lt.) Capacity (lt)
SS 620 045		Ø620	450	130
SS 620 055		Ø620	550	160
SS 620 070		Ø620	700	200
SS 620 077		Ø620	770	230
SS 620 085		Ø620	850	250

Montaj Kiti / Mounting Kit

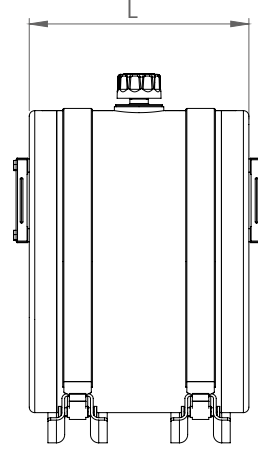
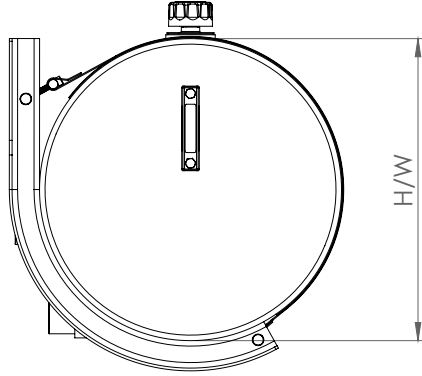


**ÇELİK
YAĞ
TANKLARI**
STEEL
OIL
TANKS



Ø660
SIDE MOUNTED





Seri no Serial no	Yükseklik (mm) Height (mm)	Genişlik (mm) Width (mm)	Uzunluk (mm) Length (mm)	Hacim (lt.) Capacity (lt)
SS 660 045		Ø660	450	150
SS 660 055		Ø660	550	180
SS 660 065		Ø660	650	220
SS 660 075		Ø660	750	250
SS 660 090		Ø660	900	300

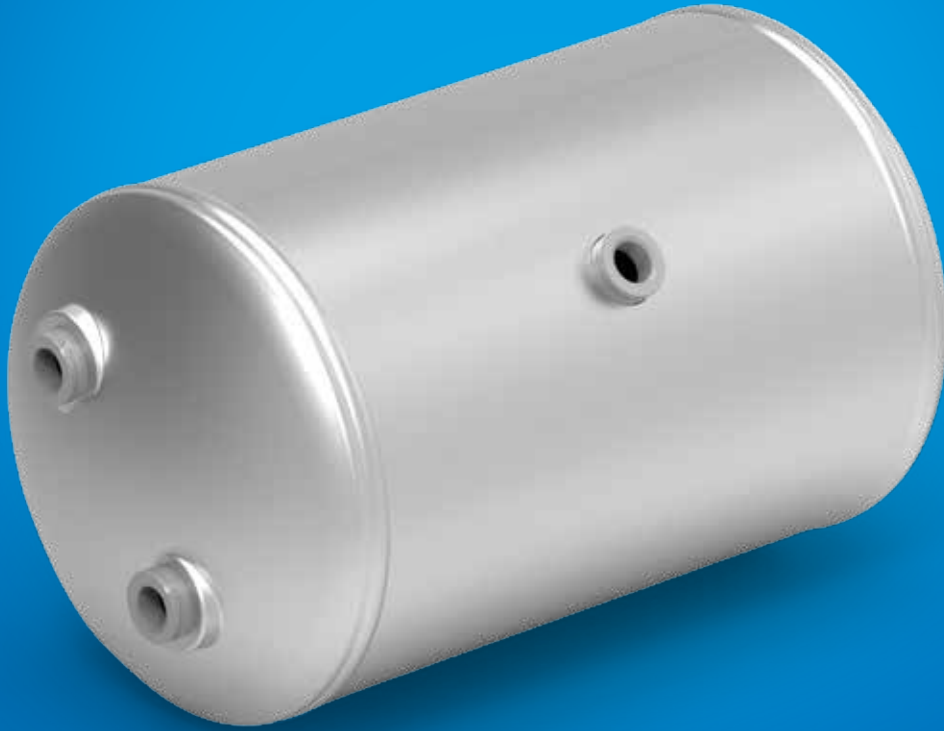
Montaj Kiti / Mounting Kit

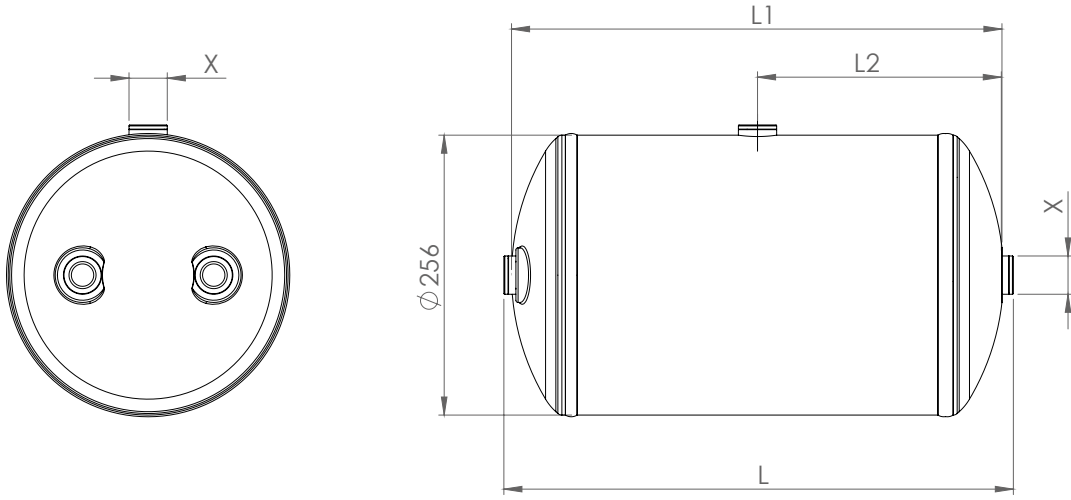


ALÜMİNYUM
HAVA
TÜPLERİ
ALUMINIUM
AIR
TANKS



Ø246



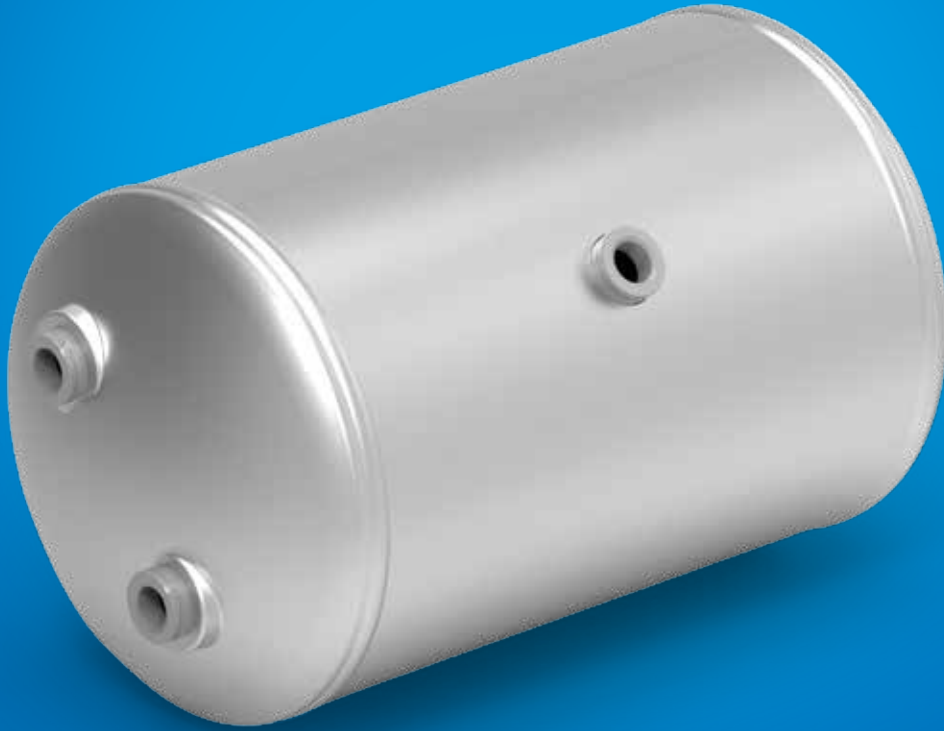


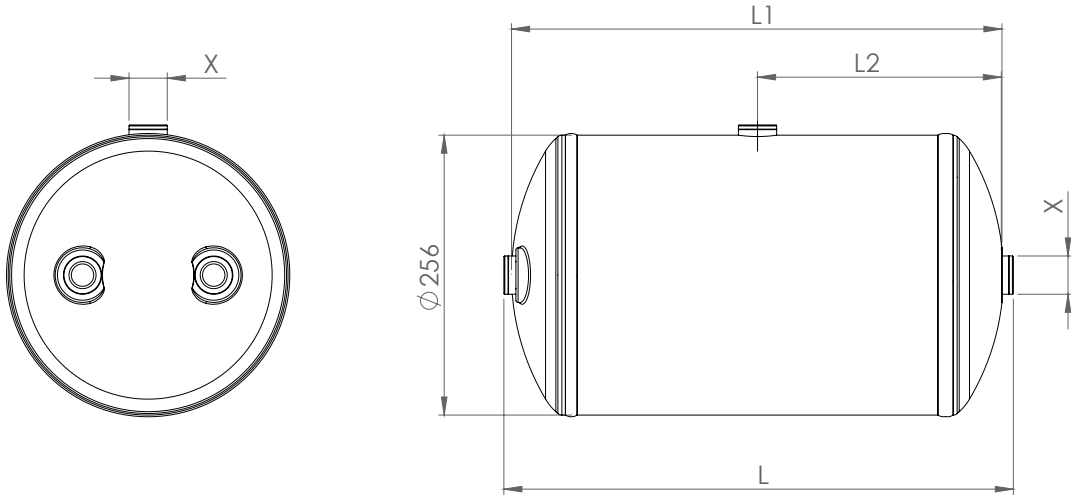
Seri no Serial no	Hacim (lt) Capacity (lt)	Ø Çap(mm) Ø Diameter (mm)	L	L1	L2	X	Çalışma basıncı (Bar) Working pressure
AA 246 020	20	246	522	500	261	M22X1,5	12,5
AA 246 025	25	246	622	600	361	M22X1,5	12,5
AA 246 030	30	246	722	700	361	M22X1,5	12,5

ALÜMİNYUM
HAVA
TÜPLERİ
ALUMINIUM
AIR
TANKS



Ø276



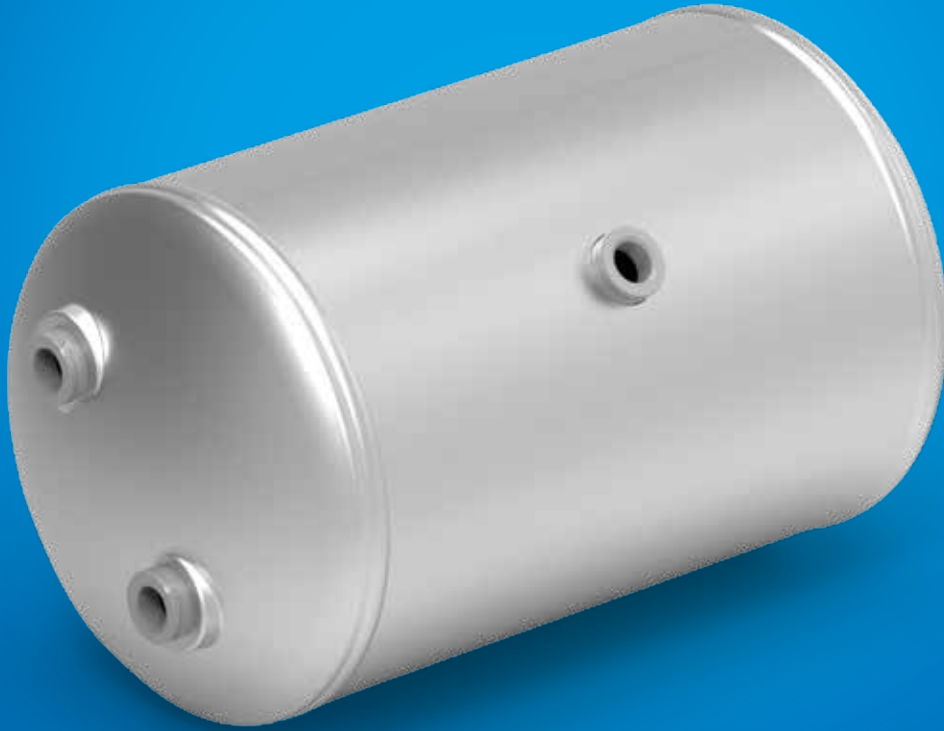


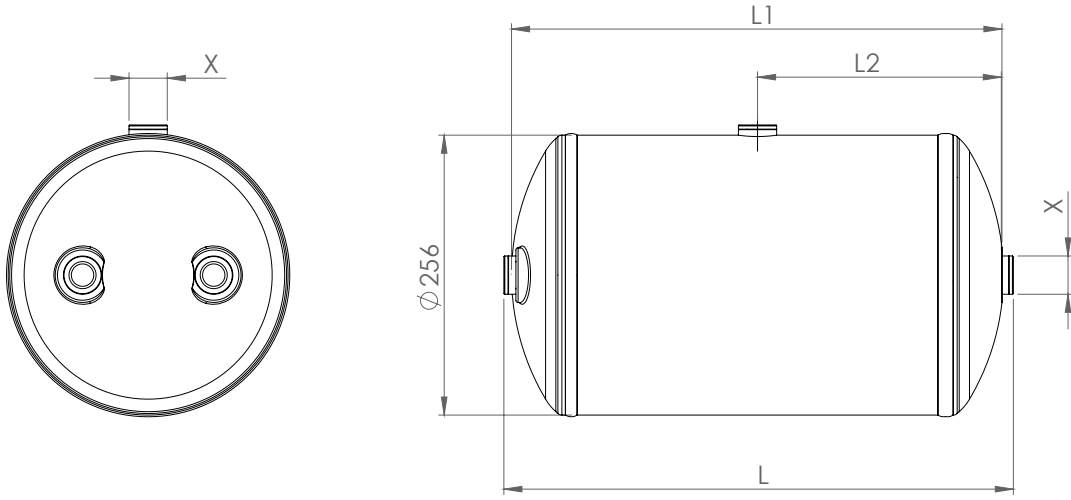
Seri no Serial no	Hacim (lt) Capacity (lt)	Ø Çap(mm) Ø Diameter (mm)	L	L1	L2	X	Çalışma basıncı (Bar) Working pressure
AA 276 030	30	276	552	530	276	M22X1,5	12,5
AA 276 040	40	276	672	650	336	M22X1,5	12,5
AA 276 060	60	276	1022	1000	511	M22X1,5	12,5

ALÜMİNYUM
HAVA
TÜPLERİ
ALUMINIUM
AIR
TANKS



Ø305



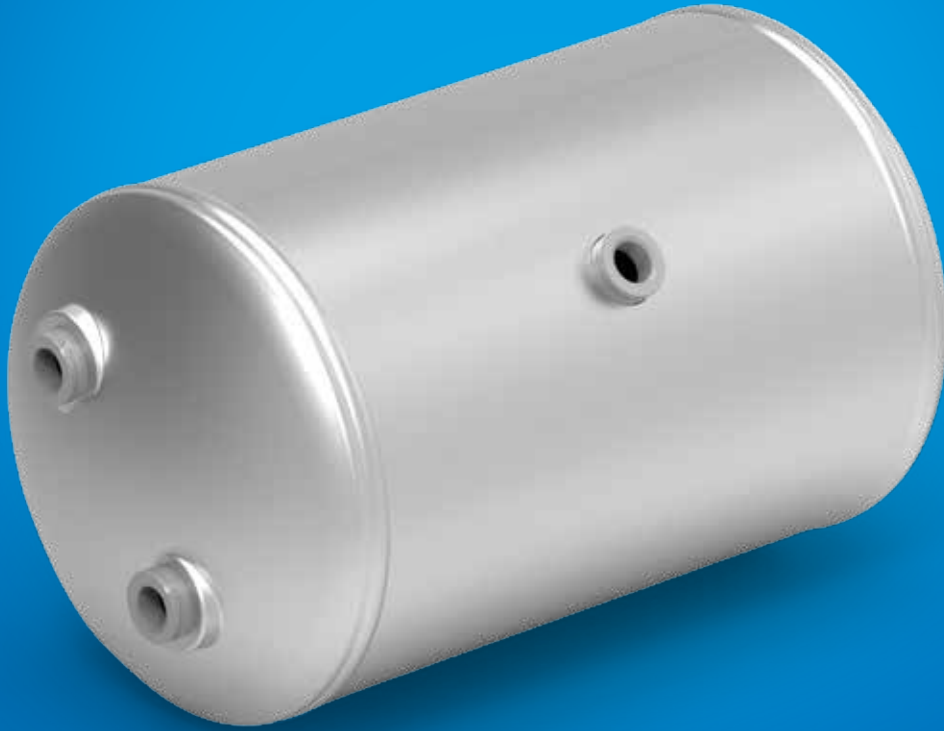


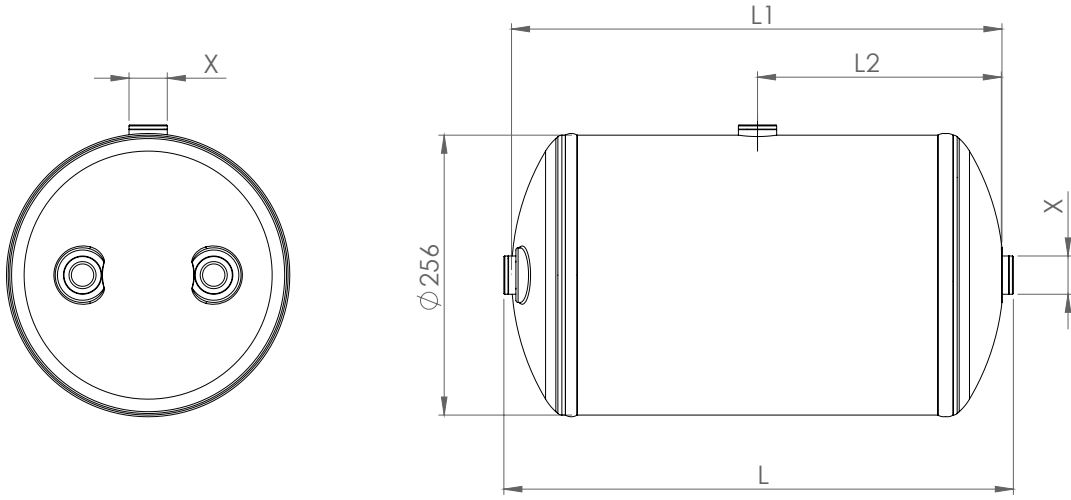
Seri no Serial no	Hacim (lt) Capacity (lt)	Ø Çap(mm) Ø Diameter (mm)	L	L1	L2	X	Çalışma basıncı (Bar) Working pressure
AA 305 040	40	305	592	570	296	M22X1,5	12,5
AA 305 060	60	305	882	860	441	M22X1,5	12,5
AA 305 080	80	305	1162	1140	581	M22X1,5	12,5

ALÜMİNYUM
HAVA
TÜPLERİ
ALUMINIUM
AIR
TANKS



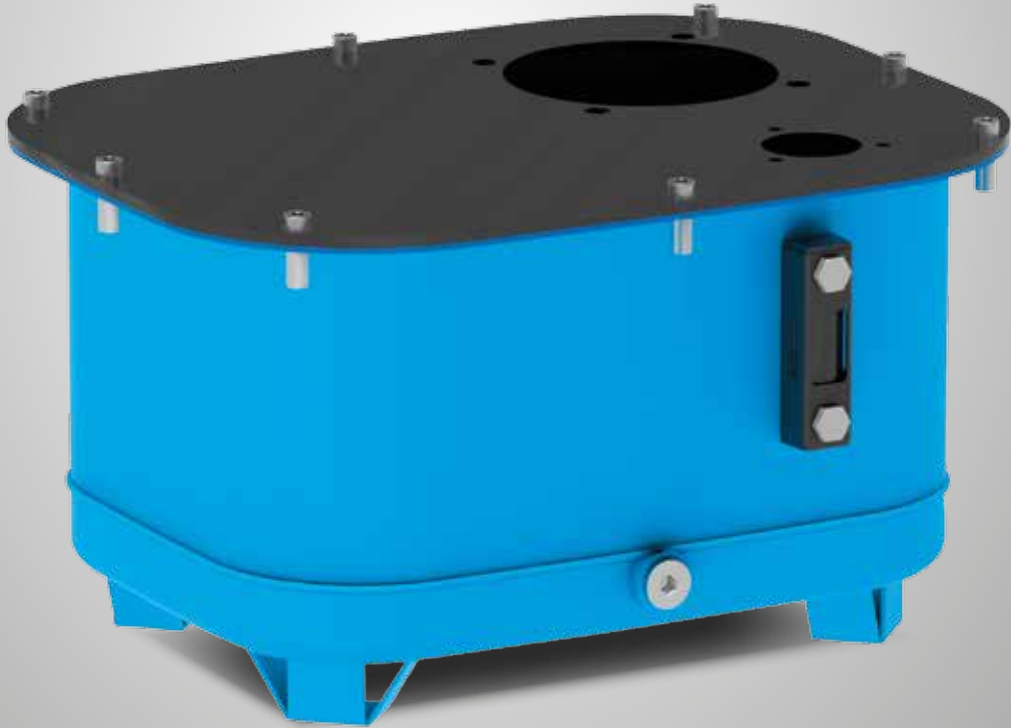
Ø396

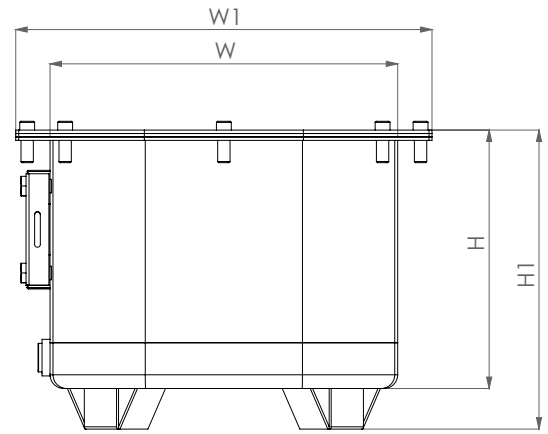
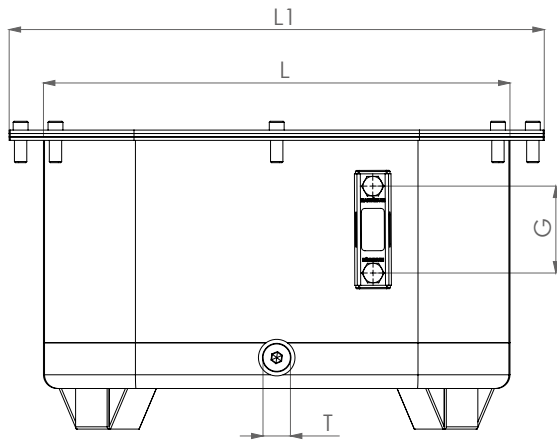




Seri no Serial no	Hacim (lt) Capacity (lt)	Ø Çap(mm) Ø Diameter (mm)	L	L1	L2	X	Çalışma basıncı (Bar) Working pressure
AA 396 060	60	396	567	545	283,5	M22X1,5	12,5
AA 396 080	80	396	722	700	361	M22X1,5	12,5
AA 396 100	100	396	872	850	436	M22X1,5	12,5

**ÇELİK
ÜNİTE
DEPOLARI**
STEEL
UNIT
TANKS





Kod Code	Hacim Capacity	H	H1	W	W1	L	L1	G	T
900605	25 Lt.	220	255	304	364	408	468	76mm	G1/2"
900799	40 Lt.	290	325	307	371	507	571	127mm	G1/2"
900615	70 Lt.	350	385	422	485	522	581	127mm	G1/2"
900656	100 Lt.	370	405	563	623	642	702	127mm	G1/2"
900829	160 Lt.	500	535	563	623	642	702	127mm	G1/2"
900692	250 Lt.	490	525	754	855	754	855	254mm	G1/2"

2018
TANK
CATALOGUE



Büyük Kayacık O.S.B. Mah.
413 Nolu Sk. No: 9
Selçuklu / KONYA / TÜRKİYE
Tel:+ 90 332 236 01 80
Fax:+90 332 236 01 83

www.gemmaautomotive.com
info@gemmaautomotive.com