



Gemma
AUTOMOTIVE



Önemli Uyarı:

- Bu katalogda bulunan görsel resim, tasarım ve teknik çizimlerin her türlü hakkı Gemma Otomotiv Ltd. Şti 'ye aittir. İzinsiz Kullanılamaz ve Kopyalanamaz.
- Gemma Otomotiv ölçü ve teknik resimler dizaynında değişiklik yapma hakkı saklıdır.



Important Notice:

- All the rights of the drawings and photos belongs to Gemma Automotive Ltd. Şti.
- Forbidden using and and copying without permission Gemma reserves the rights of modifying any drawing or photo without any notice.

Who We Are...

GEMMA AUTOMOTIVE was established in 1988 and started to work in industrial oil sector. Establishing gas stations and becoming a member of the hydraulic factory in Konya Turkey, the company has become one of the most popular names in hydraulics with the productions and exportation of many series of Hydraulic Pumps, Power Take Offs for the trucks made in America, Europe and Japan, Telescopic Cylinder ranges, Mobile Cranes, Hydraulic Valves, Adapters and Cardan Shafts and wet kits. The factory, with more than 20 years experience, certificated our quality standards not only with ISO-9001 but also with CE and TSE certificates.

As an OEM of leading manufacturers throughout the world, the company has been developing new projects upon requests.

With the professional staff, team working, high quality, competitive prices and with on time deliveries, now, successfully, our products are exported to America, Europe, Africa, Australia and also Asia continent.



MISSION AND VISION

WE AIM TO

- Focus on customer satisfaction so as to welcome the demands at the highest level;
- Follow the innovations with our R&D studies;
- Provide professional and qualified service at competitive rates;
- Respond shortly to the client's needs;
- Adopt a friendly and approachable way;
- Keep regular contact with the clients;
- Improve, constantly, the quality of legal advice through specialization;
- Produce high quality products;
- Increase the market share in the sector each year;

AND HAVE SUCCEEDED IN

- Employing competent and experienced support staff;
- Maximizing the team work;
- Investing in the latest machinery and hydraulic systems according to our customers demands;
- Engaging the services of leading practice management consultants.
- Satisfying the clients in 6 continents.

Strok Hesabı / Stroke Calculation

Teleskopik silindirlerin kullanımında kasadaki yükü en verimli şekilde boşaltabilmeleri için, silindir tam açık seviyedeysen kasa ve şase arasındaki tavsiye edilen minimum açı 42°, maksimum açı 55° dir.

Yükün Boşalması için gerekli olan silindir strokunun hesaplama formülü

Formül doğrultusunda kasa boyuna göre olması gereken strok veya strok yüksekliğine göre kasa boyunun olması gereken değerleri tablolarda belirtilmiştir.

G = Gerekli Strok

M = Kasa ve silindir arasındaki montaj açısı değeri

M = Kasa pimi ve silindir pimi arasındaki mesafe (mm)

$$\text{Gerekli strok} = \mathbf{G = M \times M}$$

Recommended minimum angle is 42°, maximum angle is 55° when the cylinder is totally open between chassis and body, when the cylinders all stages are totally open. This values are recommended so as to empty the load with maximum efficiency.

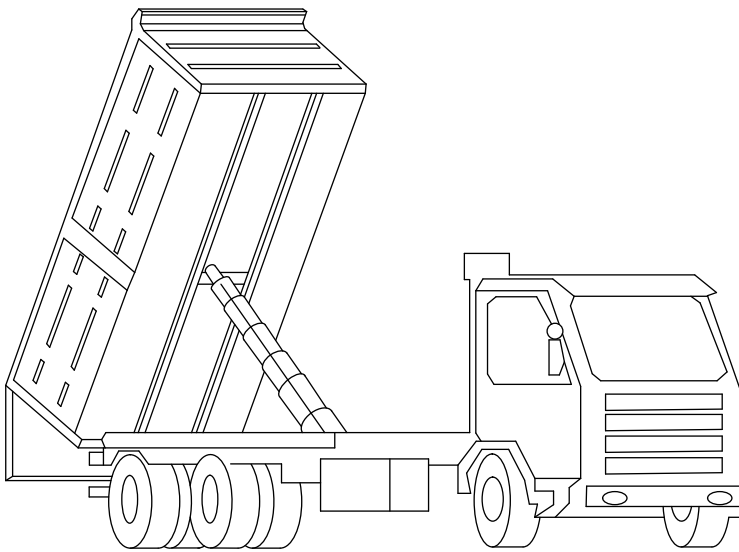
Stroke calculation formula for emptying the load the recommended values of body are indicated on the table. Shown on the table, you can see the stroke and stroke length according to the body length of the truck.

G = Required Stroke

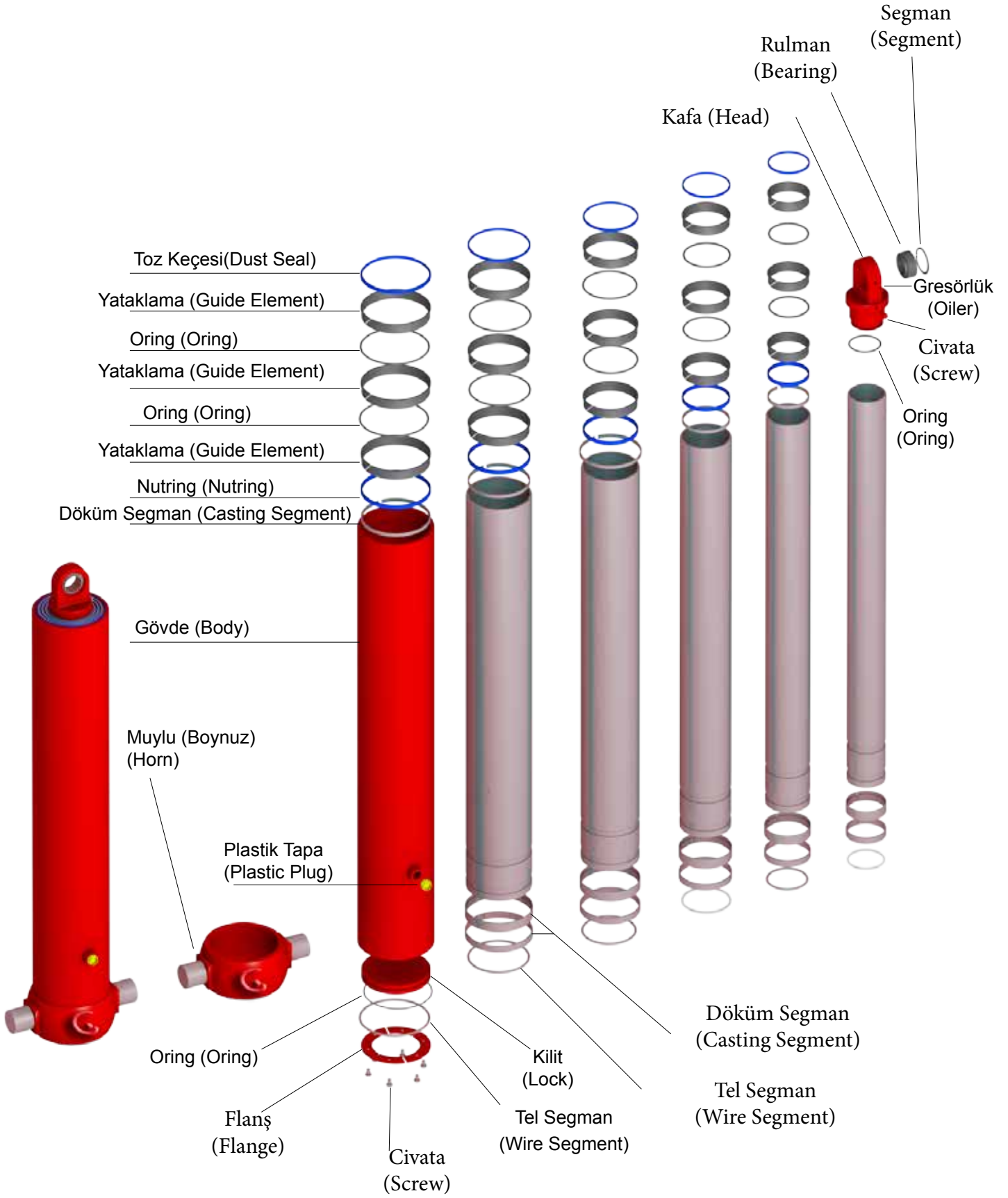
M = The angle between body and cylinder

M = Distance between the body hinge pin and cylinder base required stroke (mm)

$$\text{Required stroke} = \mathbf{G = M \times M}$$



G değerini bulma (Getting G Value)	
Montaj Açısı (Assembly Angle)	G
40	0,684
41	0,7004
42	0,7168
43	0,733
44	0,7492
45	0,7652
46	0,7814
47	0,7974
48	0,8134
49	0,8292
50	0,8452
51	0,861
52	0,8768
53	0,8922
54	0,908
55	0,9234



Ürün Kodlama Sistemi Product Coding System

138

Dış Kovan Çapı
(Outer Tube Diameter)

3

Kademe Sayısı
(Number of Stages)

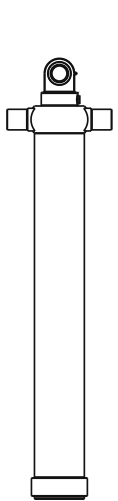
1950

Strok
(Stroke)

01

Silindir Tipi
(Cylinder Type)

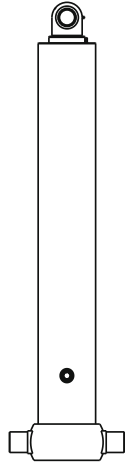
A	01
B	02
C	03
D	04
E	05
F	06
H	07
K	09
L	10
M	11
N	12
P	13



A



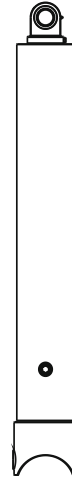
B



C



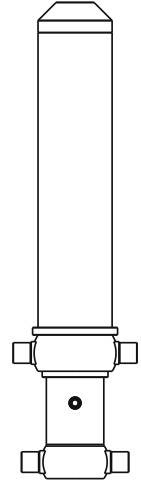
D



E



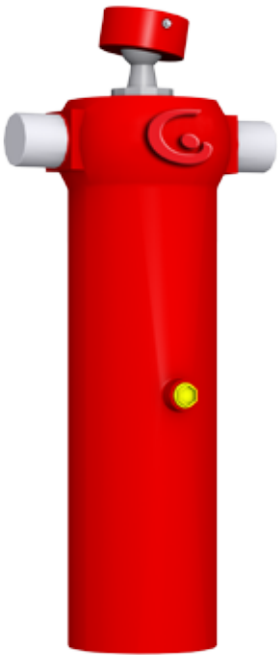
F



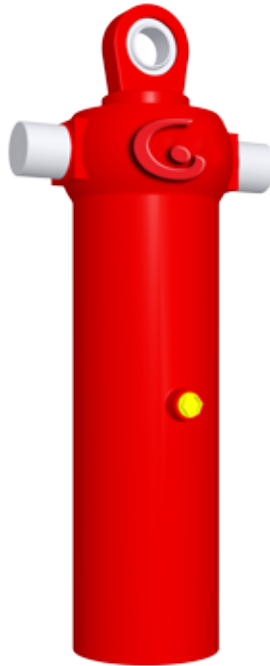
H

K TIPI / K TYPE

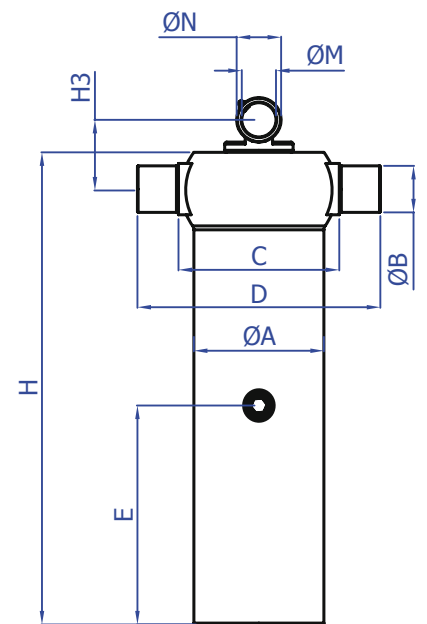
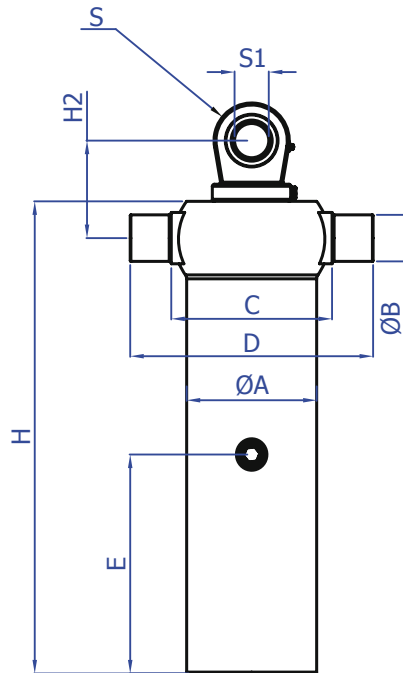
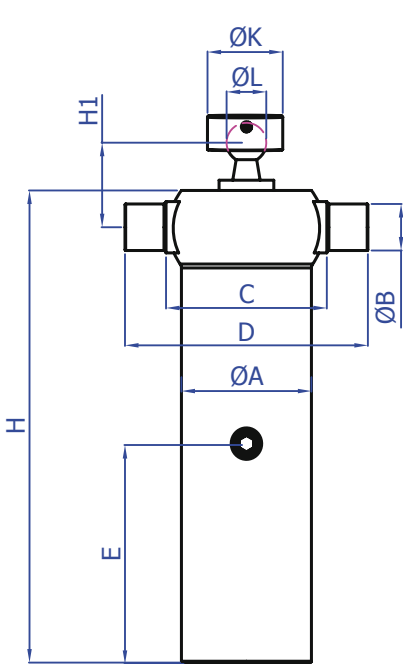
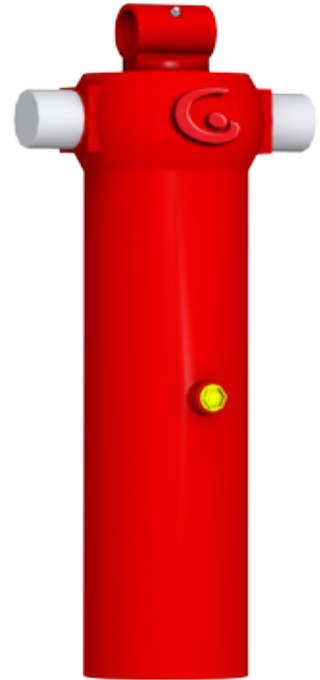
K1



K2



K3



K TİPİ / K TYPE

ÜRÜN KODU (Product Code)	TİP (Type)	A (Ø)	B (Ø)	C	D	L (Ø)	K (Ø)	H	H1	H2	H3	M (Ø)	N (Ø)	E	S	S1	YAĞ GİRİŞİ (Oil Inlet)	LİTRE (Liter)	AĞIRLIK (Weight)
138354009	138-3-540 K	138	55	165	265	58	110	340	120	110	140	40	55	160	40	50	R3/4"	7	35
138369009	138-3-690 K	138	55	165	265	58	110	390	120	110	140	40	55	190	40	50	R3/4"	8	39
138384009	138-3-840 K	138	55	165	265	58	110	440	120	110	140	40	55	220	40	50	R3/4"	9	43
138399009	138-3-990 K	138	55	165	265	58	110	490	120	110	140	40	55	250	40	50	R3/4"	10	47
1383114009	138-3-1140 K	138	55	165	265	58	110	540	120	110	140	40	55	280	40	50	R3/4"	11	51
1383129009	138-3-1290 K	138	55	165	265	58	110	590	120	110	140	40	55	310	40	50	R3/4"	13	55
1383135009	138-3-1350 K	138	55	165	265	58	110	640	120	110	140	40	55	340	40	50	R3/4"	15	60
1383150009	138-3-1500 K	138	55	165	265	58	110	690	120	110	140	40	55	370	40	50	R3/4"	18	64
138472009	138-4-720 K	138	55	165	265	58	110	340	120	110	140	40	55	160	40	50	R3/4"	9	38
138492009	138-4-920 K	138	55	165	265	58	110	390	120	110	140	40	55	190	40	50	R3/4"	10	42
1384112009	138-4-1120 K	138	55	165	265	58	110	440	120	110	140	40	55	220	40	50	R3/4"	12	46
1384132009	138-4-1320 K	138	55	165	265	58	110	490	120	110	140	40	55	250	40	50	R3/4"	14	50
1384152009	138-4-1520 K	138	55	165	265	58	110	540	120	110	140	40	55	280	40	50	R3/4"	15	54
1384172009	138-4-1720 K	138	55	165	265	58	110	590	120	110	140	40	55	310	40	50	R3/4"	17	58
1384180009	138-4-1800 K	138	55	165	265	58	110	640	120	110	140	40	55	340	40	50	R3/4"	18	63
1384200009	138-4-2000 K	138	55	165	265	58	110	690	120	110	140	40	55	370	40	50	R3/4"	20	67
165354009	165-3-540 K	165	68	200	320	58	110	340	120	110	140	50	72	160	40	50	R3/4"	13	49
165369009	165-3-690 K	165	68	200	320	58	110	390	120	110	140	50	72	190	40	50	R3/4"	15	54
165384009	165-3-840 K	165	68	200	320	58	110	440	120	110	140	50	72	220	40	50	R3/4"	18	59
165399009	165-3-990 K	165	68	200	320	58	110	490	120	110	140	50	72	250	40	50	R3/4"	20	64
1653114009	165-3-1140 K	165	68	200	320	58	110	540	120	110	140	50	72	280	40	50	R3/4"	22	69
1653129009	165-3-1290 K	165	68	200	320	58	110	590	120	110	140	50	72	310	40	50	R3/4"	24	74
1653135009	165-3-1350 K	165	68	200	320	58	110	640	120	110	140	50	72	340	40	50	R3/4"	26	79
1653150009	165-3-1500 K	165	68	200	320	58	110	690	120	110	140	50	72	370	40	50	R3/4"	28	85
165472009	165-4-720 K	165	68	200	320	58	110	340	120	110	140	50	72	160	40	50	R3/4"	15	52
165492009	165-4-920 K	165	68	200	320	58	110	390	120	110	140	50	72	190	40	50	R3/4"	17	57
1654112009	165-4-1120 K	165	68	200	320	58	110	440	120	110	140	50	72	220	40	50	R3/4"	20	62
1654132009	165-4-1320 K	165	68	200	320	58	110	490	120	110	140	50	72	250	40	50	R3/4"	22	67
1654152009	165-4-1520 K	165	68	200	320	58	110	540	120	110	140	50	72	280	40	50	R3/4"	24	72
1654172009	165-4-1720 K	165	68	200	320	58	110	590	120	110	140	50	72	310	40	50	R3/4"	26	77
1654180009	165-4-1800 K	165	68	200	320	58	110	640	120	110	140	50	72	340	40	50	R3/4"	28	82
1654200009	165-4-2000 K	165	68	200	320	58	110	690	120	110	140	50	72	370	40	50	R3/4"	30	88
165590009	165-5-900 K	165	68	200	320	58	110	340	120	110	140	50	72	160	40	50	R3/4"	16	55
1655115009	165-5-1150 K	165	68	200	320	58	110	390	120	110	140	50	72	190	40	50	R3/4"	18	60
1655140009	165-5-1400 K	165	68	200	320	58	110	440	120	110	140	50	72	220	40	50	R3/4"	21	65
1655165009	165-5-1650 K	165	68	200	320	58	110	490	120	110	140	50	72	250	40	50	R3/4"	23	70
1655190009	165-5-1900 K	165	68	200	320	58	110	540	120	110	140	50	72	280	40	50	R3/4"	25	75
1655215009	165-5-2150 K	165	68	200	320	58	110	590	120	110	140	50	72	310	40	50	R3/4"	27	80
1655225009	165-5-2250 K	165	68	200	320	58	110	640	120	110	140	50	72	340	40	50	R3/4"	29	85
1655250009	165-5-2500 K	165	68	200	320	58	110	690	120	110	140	50	72	370	40	50	R3/4"	31	91
190354009	190-3-540 K	190	68	225	345	58	110	340	120	110	140	50	72	160	40	50	R3/4"	11	60
190369009	190-3-690 K	190	68	225	345	58	110	390	120	110	140	50	72	190	40	50	R3/4"	13	66
190384009	190-3-840 K	190	68	225	345	58	110	440	120	110	140	50	72	220	40	50	R3/4"	16	72
190399009	190-3-990 K	190	68	225	345	58	110	490	120	110	140	50	72	250	40	50	R3/4"	18	78
1903114009	190-3-1140 K	190	68	225	345	58	110	540	120	110	140	50	72	280	40	50	R3/4"	21	84
1903129009	190-3-1290 K	190	68	225	345	58	110	590	120	110	140	50	72	310	40	50	R3/4"	27	90
1903135009	190-3-1350 K	190	68	225	345	58	110	640	120	110	140	50	72	340	40	50	R3/4"	33	96

K TİPİ / K TYPE

ÜRÜN KODU (Product Code)	TİP (Type)	A (Ø)	B (Ø)	C	D	L (Ø)	K (Ø)	H	H1	H2	H3	M (Ø)	N (Ø)	E	S	S1	YAĞ GİRİŞİ (Oil Inlet)	LİTRE (Liter)	AĞIRLIK (Weight)
1903150009	190-3-1500 K	190	68	225	345	58	110	690	120	110	140	50	72	370	40	50	R3/4"	40	102
190472009	190-4-720 K	190	68	225	345	58	110	340	120	110	140	50	72	160	40	50	R3/4"	12	65
190492009	190-4-920 K	190	68	225	345	58	110	390	120	110	140	50	72	190	40	50	R3/4"	14	72
1904112009	190-4-1120 K	190	68	225	345	58	110	440	120	110	140	50	72	220	40	50	R3/4"	17	79
1904132009	190-4-1320 K	190	68	225	345	58	110	490	120	110	140	50	72	250	40	50	R3/4"	19	86
1904152009	190-4-1520 K	190	68	225	345	58	110	540	120	110	140	50	72	280	40	50	R3/4"	22	93
1904172009	190-4-1720 K	190	68	225	345	58	110	590	120	110	140	50	72	310	40	50	R3/4"	28	100
1904180009	190-4-1800 K	190	68	225	345	58	110	640	120	110	140	50	72	340	40	50	R3/4"	34	107
1904200009	190-4-2000 K	190	68	225	345	58	110	690	120	110	140	50	72	370	40	50	R3/4"	41	114
190590009	190-5-900 K	190	68	225	345	58	110	340	120	110	140	50	72	160	40	50	R3/4"	13	70
1905115009	190-5-1150 K	190	68	225	345	58	110	390	120	110	140	50	72	190	40	50	R3/4"	15	77
1905140009	190-5-1400 K	190	68	225	345	58	110	440	120	110	140	50	72	220	40	50	R3/4"	18	84
1905165009	190-5-1650 K	190	68	225	345	58	110	490	120	110	140	50	72	250	40	50	R3/4"	21	91
1905190009	190-5-1900 K	190	68	225	345	58	110	540	120	110	140	50	72	280	40	50	R3/4"	24	98
1905215009	190-5-2150 K	190	68	225	345	58	110	590	120	110	140	50	72	310	40	50	R3/4"	30	105
1905225009	190-5-2250 K	190	68	225	345	58	110	640	120	110	140	50	72	340	40	50	R3/4"	36	112
1905250009	190-5-2500 K	190	68	225	345	58	110	690	120	110	140	50	72	370	40	50	R3/4"	43	117
190672009	190-6-720 K	190	68	225	345	58	110	340	120	110	140	50	72	160	40	50	R3/4"	14	74
1906138009	190-6-1380 K	190	68	225	345	58	110	390	120	110	140	50	72	190	40	50	R3/4"	17	81
1906168009	190-6-1680 K	190	68	225	345	58	110	440	120	110	140	50	72	220	40	50	R3/4"	20	88
1906198009	190-6-1980 K	190	68	225	345	58	110	490	120	110	140	50	72	250	40	50	R3/4"	23	85
1906228009	190-6-2280 K	190	68	225	345	58	110	540	120	110	140	50	72	280	40	50	R3/4"	26	102
1906258009	190-6-2580 K	190	68	225	345	58	110	590	120	110	140	50	72	310	40	50	R3/4"	32	109
1906270009	190-6-2700 K	190	68	225	345	58	110	640	120	110	140	50	72	340	40	50	R3/4"	38	116
1906300009	190-6-3000 K	190	68	225	345	58	110	690	120	110	140	50	72	370	40	50	R3/4"	45	121
215354009	215-3-540 K	215	68	255	375	58	110	340	120	110	140	50	72	160	40	50	R3/4"	15	73
215369009	215-3-690 K	215	68	255	375	58	110	390	120	110	140	50	72	190	40	50	R3/4"	20	81
215384009	215-3-840 K	215	68	255	375	58	110	440	120	110	140	50	72	220	40	50	R3/4"	25	89
215399009	215-3-990 K	215	68	255	375	58	110	490	120	110	140	50	72	250	40	50	R3/4"	30	97
2153114009	215-3-1140 K	215	68	255	375	58	110	540	120	110	140	50	72	280	40	50	R3/4"	35	105
2153129009	215-3-1290 K	215	68	255	375	58	110	590	120	110	140	50	72	310	40	50	R3/4"	40	113
2153135009	215-3-1350 K	215	68	255	375	58	110	640	120	110	140	50	72	340	40	50	R3/4"	45	121
2153150009	215-3-1500 K	215	68	255	375	58	110	690	120	110	140	50	72	370	40	50	R3/4"	50	129
215472009	215-4-720 K	215	68	255	375	58	110	340	120	110	140	50	72	160	40	50	R3/4"	20	79
215492009	215-4-920 K	215	68	255	375	58	110	390	120	110	140	50	72	190	40	50	R3/4"	25	87
2154112009	215-4-1120 K	215	68	255	375	58	110	440	120	110	140	50	72	220	40	50	R3/4"	30	95
2154132009	215-4-1320 K	215	68	255	375	58	110	490	120	110	140	50	72	250	40	50	R3/4"	35	103
2154152009	215-4-1520 K	215	68	255	375	58	110	540	120	110	140	50	72	280	40	50	R3/4"	40	111
2154172009	215-4-1720 K	215	68	255	375	58	110	590	120	110	140	50	72	310	40	50	R3/4"	45	119
2154180009	215-4-1800 K	215	68	255	375	58	110	640	120	110	140	50	72	340	40	50	R3/4"	50	127
2154200009	215-4-2000 K	215	68	255	375	58	110	690	120	110	140	50	72	370	40	50	R3/4"	55	135
215590009	215-5-900 K	215	68	255	375	58	110	340	120	110	140	50	72	160	40	50	R3/4"	24	84
2155115009	215-5-1150 K	215	68	255	375	58	110	390	120	110	140	50	72	190	40	50	R3/4"	29	92
2155140009	215-5-1400 K	215	68	255	375	58	110	440	120	110	140	50	72	220	40	50	R3/4"	34	100
2155165009	215-5-1650 K	215	68	255	375	58	110	490	120	110	140	50	72	250	40	50	R3/4"	39	108
2155190009	215-5-1900 K	215	68	255	375	58	110	540	120	110	140	50	72	280	40	50	R3/4"	44	116
2155215009	215-5-2150 K	215	68	255	375	58	110	590	120	110	140	50	72	310	40	50	R3/4"	49	124

K TİPİ / K TYPE

ÜRÜN KODU (Product Code)	TİP (Type)	A (Ø)	B (Ø)	C	D	L (Ø)	K (Ø)	H	H1	H2	H3	M (Ø)	N (Ø)	E	S	S1	YAĞ GİRİŞİ (Oil Inlet)	LİTRE (Liter)	AĞIRLIK (Weight)
2155225009	215-5-2250 K	215	68	255	375	58	110	640	120	110	140	50	72	340	40	50	R3/4"	54	132
2155250009	215-5-2500 K	215	68	255	375	58	110	690	120	110	140	50	72	370	40	50	R3/4"	59	140
2156108009	215-6-1080 K	215	68	255	375	58	110	340	120	110	140	50	72	160	40	50	R3/4"	26	87
2156138009	215-6-1380 K	215	68	255	375	58	110	390	120	110	140	50	72	190	40	50	R3/4"	31	95
2156168009	215-6-1680 K	215	68	255	375	58	110	440	120	110	140	50	72	220	40	50	R3/4"	36	103
2156198009	215-6-1980 K	215	68	255	375	58	110	490	120	110	140	50	72	250	40	50	R3/4"	41	111
2156228009	215-6-2280 K	215	68	255	375	58	110	540	120	110	140	50	72	280	40	50	R3/4"	46	119
2156258009	215-6-2580 K	215	68	255	375	58	110	590	120	110	140	50	72	310	40	50	R3/4"	51	127
2156270009	215-6-2700 K	215	68	255	375	58	110	640	120	110	140	50	72	340	40	50	R3/4"	56	135
2156300009	215-6-3000 K	215	68	255	375	58	110	690	120	110	140	50	72	370	40	50	R3/4"	61	143
215590009	245-5-900 K	245	68	280	400	58	110	340	120	110	140	50	72	160	40	50	R3/4"	33	101
2455115009	245-5-1150 K	245	68	280	400	58	110	390	120	110	140	50	72	190	40	50	R3/4"	37	113
2455140009	245-5-1400 K	245	68	280	400	58	110	440	120	110	140	50	72	220	40	50	R3/4"	41	125
2455165009	245-5-1650 K	245	68	280	400	58	110	490	120	110	140	50	72	250	40	50	R3/4"	45	137
2455190009	245-5-1900 K	245	68	280	400	58	110	540	120	110	140	50	72	280	40	50	R3/4"	49	149
2455215009	245-5-2150 K	245	68	280	400	58	110	590	120	110	140	50	72	310	40	50	R3/4"	51	161
2455225009	245-5-2250 K	245	68	280	400	58	110	640	120	110	140	50	72	340	40	50	R3/4"	55	173
2455250009	245-5-2500 K	245	68	280	400	58	110	690	120	110	140	50	72	370	40	50	R3/4"	59	185
2456108009	245-6-1080 K	245	68	280	400	58	110	340	120	110	140	50	72	160	40	50	R3/4"	35	106
2456138009	245-6-1380 K	245	68	280	400	58	110	390	120	110	140	50	72	190	40	50	R3/4"	39	118
2456168009	245-6-1680 K	245	68	280	400	58	110	440	120	110	140	50	72	220	40	50	R3/4"	43	130
2456198009	245-6-1980 K	245	68	280	400	58	110	490	120	110	140	50	72	250	40	50	R3/4"	47	142
2456228009	245-6-2280 K	245	68	280	400	58	110	540	120	110	140	50	72	280	40	50	R3/4"	51	154
2456258009	245-6-2580 K	245	68	280	400	58	110	590	120	110	140	50	72	310	40	50	R3/4"	53	166
2456270009	245-6-2700 K	245	68	280	400	58	110	640	120	110	140	50	72	340	40	50	R3/4"	55	178
2456300009	245-6-3000 K	245	68	280	400	58	110	690	120	110	140	50	72	370	40	50	R3/4"	61	190
245784009	245-7-840 K	245	68	280	400	58	110	340	120	110	140	50	72	160	40	50	R3/4"	36	110
2457161009	245-7-1610 K	245	68	280	400	58	110	390	120	110	140	50	72	190	40	50	R3/4"	41	122
2457196009	245-7-1960 K	245	68	280	400	58	110	440	120	110	140	50	72	220	40	50	R3/4"	45	134
2457231009	245-7-2310 K	245	68	280	400	58	110	490	120	110	140	50	72	250	40	50	R3/4"	48	146
2457266009	245-7-2660 K	245	68	280	400	58	110	540	120	110	140	50	72	280	40	50	R3/4"	52	158
2457301009	245-7-3010 K	245	68	280	400	58	110	590	120	110	140	50	72	310	40	50	R3/4"	55	170
2457315009	245-7-3150 K	245	68	280	400	58	110	640	120	110	140	50	72	340	40	50	R3/4"	57	182
2457350009	245-7-3500 K	245	68	280	400	58	110	690	120	110	140	50	72	370	40	50	R3/4"	63	194
2458144009	245-8-1440 K	245	68	280	400	58	110	340	120	110	140	50	72	160	40	50	R3/4"	38	113
2458184009	245-8-1840 K	245	68	280	400	58	110	390	120	110	140	50	72	190	40	50	R3/4"	43	125
2458224009	245-8-2240 K	245	68	280	400	58	110	440	120	110	140	50	72	220	40	50	R3/4"	48	137
2458264009	245-8-2640 K	245	68	280	400	58	110	490	120	110	140	50	72	250	40	50	R3/4"	50	149
2458304009	245-8-3040 K	245	68	280	400	58	110	540	120	110	140	50	72	280	40	50	R3/4"	54	161
2458344009	245-8-3440 K	245	68	280	400	58	110	590	120	110	140	50	72	310	40	50	R3/4"	57	173
2458360009	245-8-3600 K	245	68	280	400	58	110	640	120	110	140	50	72	340	40	50	R3/4"	59	185
2458400009	245-8-4000 K	245	68	280	400	58	110	690	120	110	140	50	72	370	40	50	R3/4"	65	197

L TIPI / L TYPE

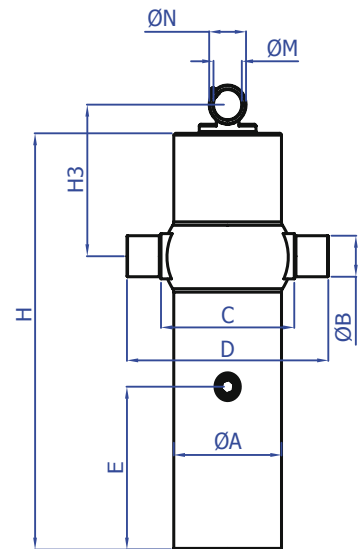
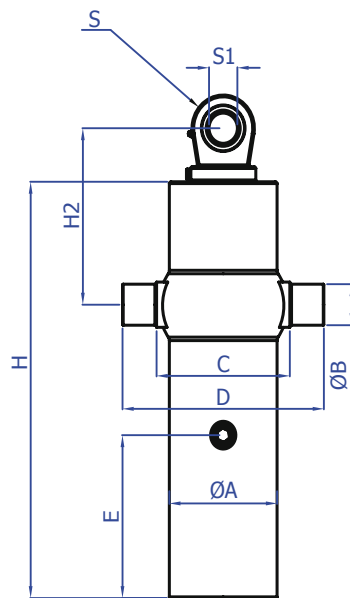
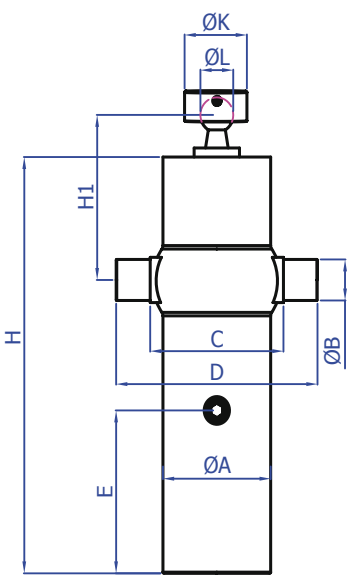
L1



L2



L3



L TİPİ / L TYPE

ÜRÜN KODU (Product Code)	TİP (Type)	A (Ø)	B (Ø)	C	D	L (Ø)	K (Ø)	H	H1	H2	H3	M	N	E	S	S1	YAĞ GİRİŞİ (Oil Inlet)	LİTRE (Liter)
138354010	138-3-540 L	138	55	165	265	58	110	340	270	260	290	40	55	50	40	50	R3/4"	7
138369010	138-3-690 L	138	55	165	265	58	110	390	270	260	290	40	55	80	40	50	R3/4"	8
138384010	138-3-840 L	138	55	165	265	58	110	440	270	260	290	40	55	110	40	50	R3/4"	9
138399010	138-3-990 L	138	55	165	265	58	110	490	270	260	290	40	55	140	40	50	R3/4"	10
1383114010	138-3-1140 L	138	55	165	265	58	110	540	270	260	290	40	55	170	40	50	R3/4"	11
1383129010	138-3-1290 L	138	55	165	265	58	110	590	270	260	290	40	55	200	40	50	R3/4"	13
1383135010	138-3-1350 L	138	55	165	265	58	110	640	270	260	290	40	55	230	40	50	R3/4"	15
1383150010	138-3-1500 L	138	55	165	265	58	110	690	270	260	290	40	55	240	40	50	R3/4"	18
138472010	138-4-720 L	138	55	165	265	58	110	340	270	260	290	40	55	50	40	50	R3/4"	9
138492010	138-4-920 L	138	55	165	265	58	110	390	270	260	290	40	55	80	40	50	R3/4"	10
1384112010	138-4-1120 L	138	55	165	265	58	110	440	270	260	290	40	55	110	40	50	R3/4"	12
1384132010	138-4-1320 L	138	55	165	265	58	110	490	270	260	290	40	55	140	40	50	R3/4"	14
1384152010	138-4-1520 L	138	55	165	265	58	110	540	270	260	290	40	55	170	40	50	R3/4"	15
1384172010	138-4-1720 L	138	55	165	265	58	110	590	270	260	290	40	55	200	40	50	R3/4"	17
1384180010	138-4-1800 L	138	55	165	265	58	110	640	270	260	290	40	55	230	40	50	R3/4"	18
1384200010	138-4-2000 L	138	55	165	265	58	110	690	270	260	290	40	55	240	40	50	R3/4"	20
165354010	165-3-540 L	165	68	200	320	58	110	340	270	260	290	50	72	50	40	50	R3/4"	13
165369010	165-3-690 L	165	68	200	320	58	110	390	270	260	290	50	72	80	40	50	R3/4"	15
165384010	165-3-840 L	165	68	200	320	58	110	440	270	260	290	50	72	110	40	50	R3/4"	18
165399010	165-3-990 L	165	68	200	320	58	110	490	270	260	290	50	72	140	40	50	R3/4"	20
1653114010	165-3-1140 L	165	68	200	320	58	110	540	270	260	290	50	72	170	40	50	R3/4"	22
1653129010	165-3-1290 L	165	68	200	320	58	110	590	270	260	290	50	72	200	40	50	R3/4"	24
1653135010	165-3-1350 L	165	68	200	320	58	110	640	270	260	290	50	72	230	40	50	R3/4"	26
1653150010	165-3-1500 L	165	68	200	320	58	110	690	270	260	290	50	72	240	40	50	R3/4"	28
165472010	165-4-720 L	165	68	200	320	58	110	340	270	260	290	50	72	50	40	50	R3/4"	15
165492010	165-4-920 L	165	68	200	320	58	110	390	270	260	290	50	72	80	40	50	R3/4"	17
1654112010	165-4-1120 L	165	68	200	320	58	110	440	270	260	290	50	72	110	40	50	R3/4"	20
1654132010	165-4-1320 L	165	68	200	320	58	110	490	270	260	290	50	72	140	40	50	R3/4"	22
1654152010	165-4-1520 L	165	68	200	320	58	110	540	270	260	290	50	72	170	40	50	R3/4"	24
1654172010	165-4-1720 L	165	68	200	320	58	110	590	270	260	290	50	72	200	40	50	R3/4"	26
1654180010	165-4-1800 L	165	68	200	320	58	110	640	270	260	290	50	72	230	40	50	R3/4"	28
1654200010	165-4-2000 L	165	68	200	320	58	110	690	270	260	290	50	72	240	40	50	R3/4"	30
165590010	165-5-900 L	165	68	200	320	58	110	340	270	260	290	50	72	50	40	50	R3/4"	16
1655115010	165-5-1150 L	165	68	200	320	58	110	390	270	260	290	50	72	80	40	50	R3/4"	18
1655140010	165-5-1400 L	165	68	200	320	58	110	440	270	260	290	50	72	110	40	50	R3/4"	21
1655165010	165-5-1650 L	165	68	200	320	58	110	490	270	260	290	50	72	140	40	50	R3/4"	23
1655190010	165-5-1900 L	165	68	200	320	58	110	540	270	260	290	50	72	170	40	50	R3/4"	25
1655215010	165-5-2150 L	165	68	200	320	58	110	590	270	260	290	50	72	200	40	50	R3/4"	27
1655225010	165-5-2250 L	165	68	200	320	58	110	640	270	260	290	50	72	230	40	50	R3/4"	29
1655250010	165-5-2500 L	165	68	200	320	58	110	690	270	260	290	50	72	240	40	50	R3/4"	31
190354010	190-3-540 L	190	68	225	345	58	110	340	270	260	290	50	72	50	40	50	R3/4"	11
190369010	190-3-690 L	190	68	225	345	58	110	390	270	260	290	50	72	80	40	50	R3/4"	13
190384010	190-3-840 L	190	68	225	345	58	110	440	270	260	290	50	72	110	40	50	R3/4"	16
190399010	190-3-990 L	190	68	225	345	58	110	490	270	260	290	50	72	140	40	50	R3/4"	18
1903114010	190-3-1140 L	190	68	225	345	58	110	540	270	260	290	50	72	170	40	50	R3/4"	21
1903129010	190-3-1290 L	190	68	225	345	58	110	590	270	260	290	50	72	200	40	50	R3/4"	27
1903135010	190-3-1350 L	190	68	225	345	58	110	640	270	260	290	50	72	230	40	50	R3/4"	33

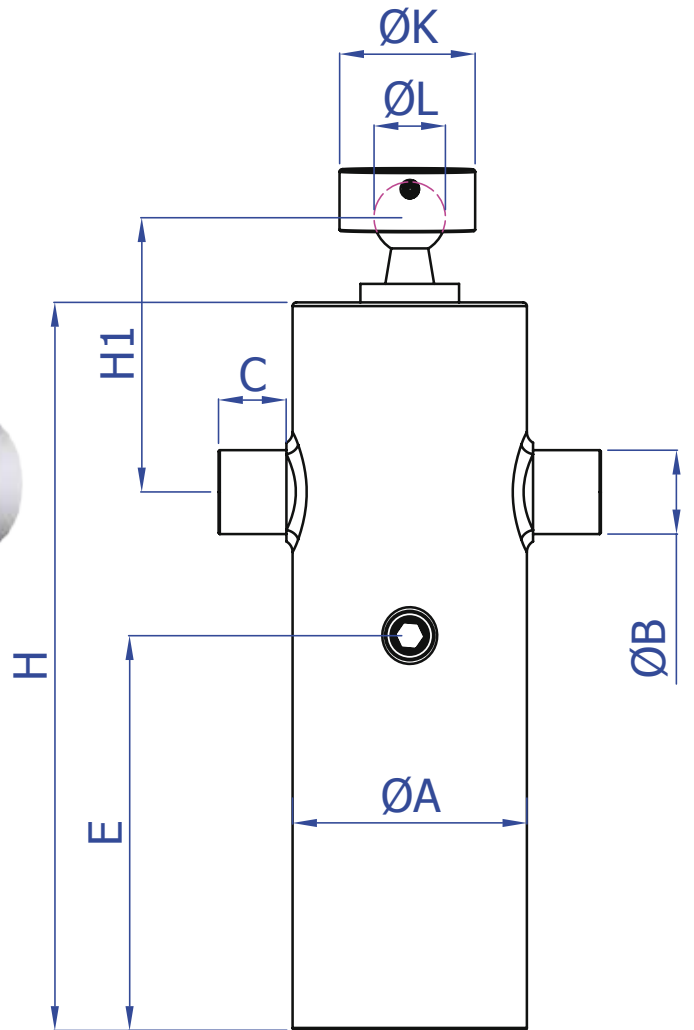
L TİPİ / L TYPE

ÜRÜN KODU (Product Code)	TİP (Type)	A (Ø)	B (Ø)	C	D	L (Ø)	K (Ø)	H	H1	H2	H3	M	N	E	S	S1	YAĞ GİRİŞİ (Oil Inlet)	LİTRE (Liter)
1903150010	190-3-1500 L	190	68	225	345	58	110	690	270	260	290	50	72	240	40	50	R3/4"	40
190472010	190-4-720 L	190	68	225	345	58	110	340	270	260	290	50	72	50	40	50	R3/4"	12
190492010	190-4-920 L	190	68	225	345	58	110	390	270	260	290	50	72	80	40	50	R3/4"	14
1904112010	190-4-1120 L	190	68	225	345	58	110	440	270	260	290	50	72	110	40	50	R3/4"	17
1904132010	190-4-1320 L	190	68	225	345	58	110	490	270	260	290	50	72	140	40	50	R3/4"	19
1904152010	190-4-1520 L	190	68	225	345	58	110	540	270	260	290	50	72	170	40	50	R3/4"	22
1904172010	190-4-1720 L	190	68	225	345	58	110	590	270	260	290	50	72	200	40	50	R3/4"	28
1904180010	190-4-1800 L	190	68	225	345	58	110	640	270	260	290	50	72	230	40	50	R3/4"	34
1904200010	190-4-2000 L	190	68	225	345	58	110	690	270	260	290	50	72	240	40	50	R3/4"	41
190590010	190-5-900 L	190	68	225	345	58	110	340	270	260	290	50	72	50	40	50	R3/4"	13
1905115010	190-5-1150 L	190	68	225	345	58	110	390	270	260	290	50	72	80	40	50	R3/4"	15
1905140010	190-5-1400 L	190	68	225	345	58	110	440	270	260	290	50	72	110	40	50	R3/4"	18
1905165010	190-5-1650 L	190	68	225	345	58	110	490	270	260	290	50	72	140	40	50	R3/4"	21
1905190010	190-5-1900 L	190	68	225	345	58	110	540	270	260	290	50	72	170	40	50	R3/4"	24
1905215010	190-5-2150 L	190	68	225	345	58	110	590	270	260	290	50	72	200	40	50	R3/4"	30
1905225010	190-5-2250 L	190	68	225	345	58	110	640	270	260	290	50	72	230	40	50	R3/4"	36
1905250010	190-5-2500 L	190	68	225	345	58	110	690	270	260	290	50	72	240	40	50	R3/4"	43
190672010	190-6-720 L	190	68	225	345	58	110	340	270	260	290	50	72	50	40	50	R3/4"	14
1906138010	190-6-1380 L	190	68	225	345	58	110	390	270	260	290	50	72	80	40	50	R3/4"	17
1906168010	190-6-1680 L	190	68	225	345	58	110	440	270	260	290	50	72	110	40	50	R3/4"	20
1906198010	190-6-1980 L	190	68	225	345	58	110	490	270	260	290	50	72	140	40	50	R3/4"	23
1906228010	190-6-2280 L	190	68	225	345	58	110	540	270	260	290	50	72	170	40	50	R3/4"	26
1906258010	190-6-2580 L	190	68	225	345	58	110	590	270	260	290	50	72	200	40	50	R3/4"	32
1906270010	190-6-2700 L	190	68	225	345	58	110	640	270	260	290	50	72	230	40	50	R3/4"	38
1906300010	190-6-3000 L	190	68	225	345	58	110	690	270	260	290	50	72	240	40	50	R3/4"	45
215354010	215-3-540 L	215	68	255	375	58	110	340	270	260	290	50	72	50	40	50	R3/4"	15
215369010	215-3-690 L	215	68	255	375	58	110	390	270	260	290	50	72	80	40	50	R3/4"	20
215384010	215-3-840 L	215	68	255	375	58	110	440	270	260	290	50	72	110	40	50	R3/4"	25
215399010	215-3-990 L	215	68	255	375	58	110	490	270	260	290	50	72	140	40	50	R3/4"	30
2153114010	215-3-1140 L	215	68	255	375	58	110	540	270	260	290	50	72	170	40	50	R3/4"	35
2153129010	215-3-1290 L	215	68	255	375	58	110	590	270	260	290	50	72	200	40	50	R3/4"	40
2153135010	215-3-1350 L	215	68	255	375	58	110	640	270	260	290	50	72	230	40	50	R3/4"	45
2153150010	215-3-1500 L	215	68	255	375	58	110	690	270	260	290	50	72	240	40	50	R3/4"	50
215472010	215-4-720 L	215	68	255	375	58	110	340	270	260	290	50	72	50	40	50	R3/4"	20
215492010	215-4-920 L	215	68	255	375	58	110	390	270	260	290	50	72	80	40	50	R3/4"	25
2154112010	215-4-1120 L	215	68	255	375	58	110	440	270	260	290	50	72	110	40	50	R3/4"	30
2154132010	215-4-1320 L	215	68	255	375	58	110	490	270	260	290	50	72	140	40	50	R3/4"	35
2154152010	215-4-1520 L	215	68	255	375	58	110	540	270	260	290	50	72	170	40	50	R3/4"	40
2154172010	215-4-1720 L	215	68	255	375	58	110	590	270	260	290	50	72	200	40	50	R3/4"	45
2154180010	215-4-1800 L	215	68	255	375	58	110	640	270	260	290	50	72	230	40	50	R3/4"	50
2154200010	215-4-2000 L	215	68	255	375	58	110	690	270	260	290	50	72	240	40	50	R3/4"	55
215590010	215-5-900 L	215	68	255	375	58	110	340	270	260	290	50	72	50	40	50	R3/4"	24
2155115010	215-5-1150 L	215	68	255	375	58	110	390	270	260	290	50	72	80	40	50	R3/4"	29
2155140010	215-5-1400 L	215	68	255	375	58	110	440	270	260	290	50	72	110	40	50	R3/4"	34
2155165010	215-5-1650 L	215	68	255	375	58	110	490	270	260	290	50	72	140	40	50	R3/4"	39
2155190010	215-5-1900 L	215	68	255	375	58	110	540	270	260	290	50	72	170	40	50	R3/4"	44
2155215010	215-5-2150 L	215	68	255	375	58	110	590	270	260	290	50	72	200	40	50	R3/4"	49

L TİPİ / L TYPE

ÜRÜN KODU (Product Code)	TİP (Type)	A (Ø)	B (Ø)	C	D	L (Ø)	K (Ø)	H	H1	H2	H3	M	N	E	S	S1	YAĞ GİRİŞİ (Oil Inlet)	LİTRE (Liter)
2155225010	215-5-2250 L	215	68	255	375	58	110	640	270	260	290	50	72	230	40	50	R3/4"	54
2155250010	215-5-2500 L	215	68	255	375	58	110	690	270	260	290	50	72	240	40	50	R3/4"	59
2156108010	215-6-1080 L	215	68	255	375	58	110	340	270	260	290	50	72	50	40	50	R3/4"	26
2156138010	215-6-1380 L	215	68	255	375	58	110	390	270	260	290	50	72	80	40	50	R3/4"	31
2156168010	215-6-1680 L	215	68	255	375	58	110	440	270	260	290	50	72	110	40	50	R3/4"	36
2156198010	215-6-1980 L	215	68	255	375	58	110	490	270	260	290	50	72	140	40	50	R3/4"	41
2156228010	215-6-2280 L	215	68	255	375	58	110	540	270	260	290	50	72	170	40	50	R3/4"	46
2156258010	215-6-2580 L	215	68	255	375	58	110	590	270	260	290	50	72	200	40	50	R3/4"	51
2156270010	215-6-2700 L	215	68	255	375	58	110	640	270	260	290	50	72	230	40	50	R3/4"	56
2156300010	215-6-3000 L	215	68	255	375	58	110	690	270	260	290	50	72	240	40	50	R3/4"	61
215590010	245-5-900 L	245	68	280	400	58	110	340	270	260	290	50	72	50	40	50	R3/4"	33
2455115010	245-5-1150 L	245	68	280	400	58	110	390	270	260	290	50	72	80	40	50	R3/4"	37
2455140010	245-5-1400 L	245	68	280	400	58	110	440	270	260	290	50	72	110	40	50	R3/4"	41
2455165010	245-5-1650 L	245	68	280	400	58	110	490	270	260	290	50	72	140	40	50	R3/4"	45
2455190010	245-5-1900 L	245	68	280	400	58	110	540	270	260	290	50	72	170	40	50	R3/4"	49
2455215010	245-5-2150 L	245	68	280	400	58	110	590	270	260	290	50	72	200	40	50	R3/4"	51
2455225010	245-5-2250 L	245	68	280	400	58	110	640	270	260	290	50	72	230	40	50	R3/4"	55
2455250010	245-5-2500 L	245	68	280	400	58	110	690	270	260	290	50	72	240	40	50	R3/4"	59
2456108010	245-6-1080 L	245	68	280	400	58	110	340	270	260	290	50	72	50	40	50	R3/4"	35
2456138010	245-6-1380 L	245	68	280	400	58	110	390	270	260	290	50	72	80	40	50	R3/4"	39
2456168010	245-6-1680 L	245	68	280	400	58	110	440	270	260	290	50	72	110	40	50	R3/4"	43
2456198010	245-6-1980 L	245	68	280	400	58	110	490	270	260	290	50	72	140	40	50	R3/4"	47
2456228010	245-6-2280 L	245	68	280	400	58	110	540	270	260	290	50	72	170	40	50	R3/4"	51
2456258010	245-6-2580 L	245	68	280	400	58	110	590	270	260	290	50	72	200	40	50	R3/4"	53
2456270010	245-6-2700 L	245	68	280	400	58	110	640	270	260	290	50	72	230	40	50	R3/4"	55
2456300010	245-6-3000 L	245	68	280	400	58	110	690	270	260	290	50	72	240	40	50	R3/4"	61
245784010	245-7-840 L	245	68	280	400	58	110	340	270	260	290	50	72	50	40	50	R3/4"	36
2457161010	245-7-1610 L	245	68	280	400	58	110	390	270	260	290	50	72	80	40	50	R3/4"	41
2457196010	245-7-1960 L	245	68	280	400	58	110	440	270	260	290	50	72	110	40	50	R3/4"	45
2457231010	245-7-2310 L	245	68	280	400	58	110	490	270	260	290	50	72	140	40	50	R3/4"	48
2457266010	245-7-2660 L	245	68	280	400	58	110	540	270	260	290	50	72	170	40	50	R3/4"	52
2457301010	245-7-3010 L	245	68	280	400	58	110	590	270	260	290	50	72	200	40	50	R3/4"	55
2457315010	245-7-3150 L	245	68	280	400	58	110	640	270	260	290	50	72	230	40	50	R3/4"	57
2457350010	245-7-3500 L	245	68	280	400	58	110	690	270	260	290	50	72	240	40	50	R3/4"	63
2458144010	245-8-1440 L	245	68	280	400	58	110	340	270	260	290	50	72	50	40	50	R3/4"	38
2458184010	245-8-1840 L	245	68	280	400	58	110	390	270	260	290	50	72	80	40	50	R3/4"	43
2458224010	245-8-2240 L	245	68	280	400	58	110	440	270	260	290	50	72	110	40	50	R3/4"	48
2458264010	245-8-2640 L	245	68	280	400	58	110	490	270	260	290	50	72	140	40	50	R3/4"	50
2458304010	245-8-3040 L	245	68	280	400	58	110	540	270	260	290	50	72	170	40	50	R3/4"	54
2458344010	245-8-3440 L	245	68	280	400	58	110	590	270	260	290	50	72	200	40	50	R3/4"	57
2458360010	245-8-3600 L	245	68	280	400	58	110	640	270	260	290	50	72	230	40	50	R3/4"	59
2458400010	245-8-4000 L	245	68	280	400	58	110	690	270	260	290	50	72	240	40	50	R3/4"	65

M TIPI / M TYPE



M TİPİ / M TYPE

ÜRÜN KODU (Product Code)	TİP (Type)	A (Ø)	B (Ø)	C	E	H	H1	L (Ø)	K (Ø)	ALT KAPAK ÇAPI (Down Cover Dia.)	YAĞ GİRİŞİ (Oil Inlet)	LİTRE (Liter)	AĞIRLIK (Weight)
138330011	138-3-300 M	138	55	50	85	26	180	58	110	180	R 3/4"	7	32
138360011	138-3-600 M	138	55	50	100	36	200	58	110	180	R 3/4"	9	40
138390011	138-3-900 M	138	55	50	115	46	220	58	110	180	R 3/4"	11	48
1383120011	138-3-1200 M	138	55	50	130	56	240	58	110	180	R 3/4"	13	56
1383150011	138-3-1500 M	138	55	50	145	69	260	58	110	180	R 3/4"	15	64
1383180011	138-3-1800 M	138	55	50	160	79	280	58	110	180	R 3/4"	17	72
1383210011	138-3-2100 M	138	55	50	175	89	300	58	110	180	R 3/4"	19	80
138440011	138-4-400 M	138	55	50	85	26	180	58	110	180	R 3/4"	8	35
138480011	138-4-800 M	138	55	50	100	36	200	58	110	180	R 3/4"	10	43
1384120011	138-4-1200 M	138	55	50	115	46	220	58	110	180	R 3/4"	12	51
1384160011	138-4-1600 M	138	55	50	130	56	240	58	110	180	R 3/4"	14	59
1384200011	138-4-2000 M	138	55	50	145	69	260	58	110	180	R 3/4"	16	67
1384240011	138-4-2400 M	138	55	50	160	79	280	58	110	180	R 3/4"	18	75
1384280011	138-4-2800 M	138	55	50	175	89	300	58	110	180	R 3/4"	20	83
165330011	165-3-300 M	165	68	60	85	26	180	58	110	205	R 3/4"	10	36
165360011	165-3-600 M	165	68	60	100	36	200	58	110	205	R 3/4"	12	45
165390011	165-3-900 M	165	68	60	115	46	220	58	110	205	R 3/4"	14	54
1653120011	165-3-1200 M	165	68	60	130	56	240	58	110	205	R 3/4"	16	63
1653150011	165-3-1500 M	165	68	60	145	69	260	58	110	205	R 3/4"	18	72
1653180011	165-3-1800 M	165	68	60	160	79	280	58	110	205	R 3/4"	20	81
1653210011	165-3-2100 M	165	68	60	175	89	300	58	110	205	R 3/4"	22	90
165440011	165-4-400 M	165	68	60	85	26	180	58	110	205	R 3/4"	11	38
165480011	165-4-800 M	165	68	60	100	36	200	58	110	205	R 3/4"	13	50
1654120011	165-4-1200 M	165	68	60	115	46	220	58	110	205	R 3/4"	15	62
1654160011	165-4-1600 M	165	68	60	130	56	240	58	110	205	R 3/4"	17	74
1654200011	165-4-2000 M	165	68	60	145	69	260	58	110	205	R 3/4"	19	86
1654240011	165-4-2400 M	165	68	60	160	79	280	58	110	205	R 3/4"	21	98
1654280011	165-4-2800 M	165	68	60	175	89	300	58	110	205	R 3/4"	23	110
165550011	165-5-500 M	165	68	60	85	26	180	58	110	205	R 3/4"	12	40
1655100011	165-5-1000 M	165	68	60	100	36	200	58	110	205	R 3/4"	14	52
1655150011	165-5-1500 M	165	68	60	115	46	220	58	110	205	R 3/4"	16	64
1655200011	165-5-2000 M	165	68	60	130	56	240	58	110	205	R 3/4"	18	76
1655250011	165-5-2500 M	165	68	60	145	69	260	58	110	205	R 3/4"	20	88
1655300011	165-5-3000 M	165	68	60	160	79	280	58	110	205	R 3/4"	22	100
1655350011	165-5-3500 M	165	68	60	175	89	300	58	110	205	R 3/4"	24	112
190330011	190-3-300 M	190	68	60	85	26	180	58	110	230	R 3/4"	13	41
190360011	190-3-600 M	190	68	60	100	36	200	58	110	230	R 3/4"	15	54
190390011	190-3-900 M	190	68	60	115	46	220	58	110	230	R 3/4"	17	67
1903120011	190-3-1200 M	190	68	60	130	56	240	58	110	230	R 3/4"	19	80
1903150011	190-3-1500 M	190	68	60	145	69	260	58	110	230	R 3/4"	21	93
1903180011	190-3-1800 M	190	68	60	160	79	280	58	110	230	R 3/4"	23	106
1903210011	190-3-2100 M	190	68	60	175	89	300	58	110	230	R 3/4"	25	119
190440011	190-4-400 M	190	68	60	85	26	180	58	110	230	R 3/4"	14	45
190480011	190-4-800 M	190	68	60	100	36	200	58	110	230	R 3/4"	16	59
1904120011	190-4-1200 M	190	68	60	115	46	220	58	110	230	R 3/4"	18	73
1904160011	190-4-1600 M	190	68	60	130	56	240	58	110	230	R 3/4"	20	87
1904200011	190-4-2000 M	190	68	60	145	69	260	58	110	230	R 3/4"	22	101

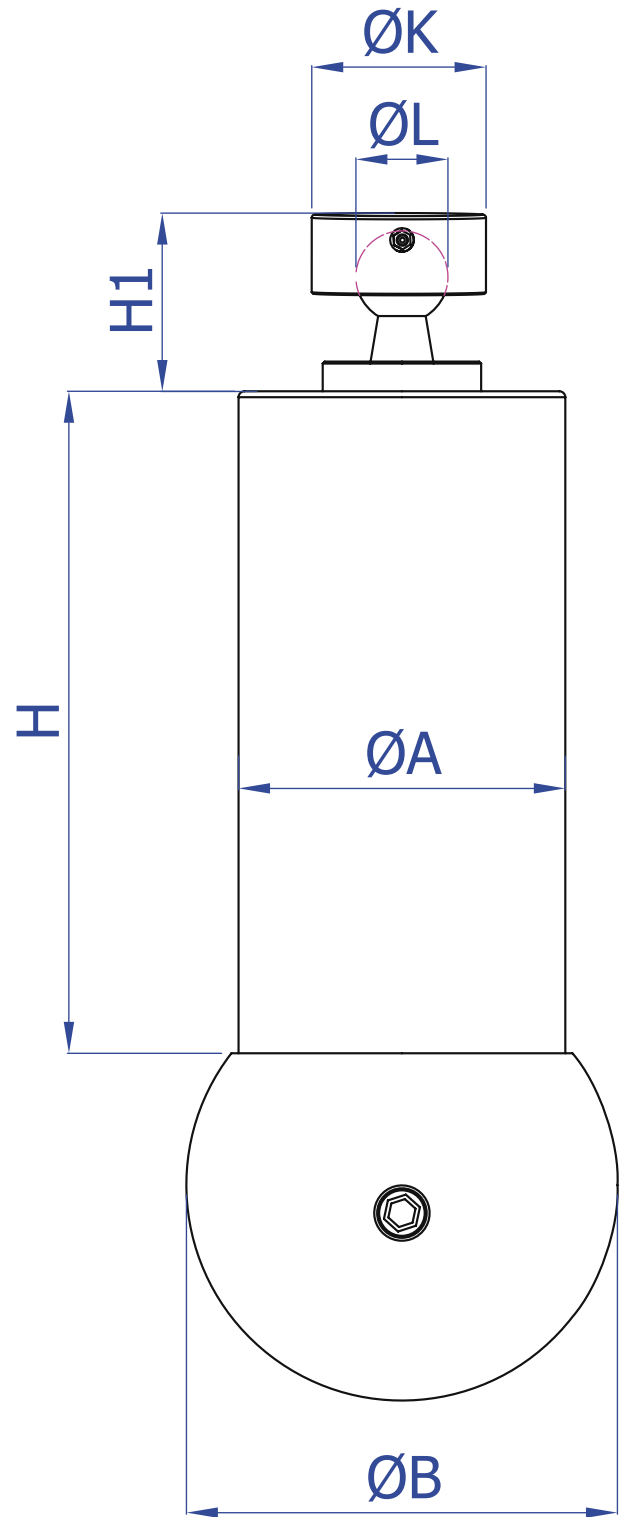
M TİPİ / M TYPE

ÜRÜN KODU (Product Code)	TİP (Type)	A (Ø)	B (Ø)	C	E	H	H1	L (Ø)	K (Ø)	ALT KAPAK ÇAPI (Down Cover Dia.)	YAĞ GİRİŞİ (Oil Inlet)	LİTRE (Liter)	AĞIRLIK (Weight)
1904240011	190-4-2400 M	190	68	60	160	79	280	58	110	230	R 3/4"	24	115
1904280011	190-4-2800 M	190	68	60	175	89	300	58	110	230	R 3/4"	26	129
190550011	190-5-500 M	190	68	60	85	26	180	58	110	230	R 3/4"	16	49
1905100011	190-5-1000 M	190	68	60	100	36	200	58	110	230	R 3/4"	18	64
1905150011	190-5-1500 M	190	68	60	115	46	220	58	110	230	R 3/4"	20	79
1905200011	190-5-2000 M	190	68	60	130	56	240	58	110	230	R 3/4"	22	94
1905250011	190-5-2500 M	190	68	60	145	69	260	58	110	230	R 3/4"	24	109
1905300011	190-5-3000 M	190	68	60	160	79	280	58	110	230	R 3/4"	26	124
1905350011	190-5-3500 M	190	68	60	175	89	300	58	110	230	R 3/4"	28	139
190660011	190-6-600 M	190	68	60	85	26	180	58	110	230	R 3/4"	17	52
1906120011	190-6-1200 M	190	68	60	100	36	200	58	110	230	R 3/4"	19	67
1906180011	190-6-1800 M	190	68	60	115	46	220	58	110	230	R 3/4"	21	82
1906240011	190-6-2400 M	190	68	60	130	56	240	58	110	230	R 3/4"	23	97
1906300011	190-6-3000 M	190	68	60	145	69	260	58	110	230	R 3/4"	25	112
1906360011	190-6-3600 M	190	68	60	160	79	280	58	110	230	R 3/4"	27	127
1906420011	190-6-4200 M	190	68	60	175	89	300	58	110	230	R 3/4"	29	142
215440011	215-4-400 M	215	68	60	85	26	180	58	110	255	R 3/4"	21	55
215480011	215-4-800 M	215	68	60	100	36	200	58	110	255	R 3/4"	30	72
2154120011	215-4-1200 M	215	68	60	115	46	220	58	110	255	R 3/4"	39	89
2154160011	215-4-1600 M	215	68	60	130	56	240	58	110	255	R 3/4"	48	106
2154200011	215-4-2000 M	215	68	60	145	69	260	58	110	255	R 3/4"	57	123
2154240011	215-4-2400 M	215	68	60	160	79	280	58	110	255	R 3/4"	66	140
2154280011	215-4-2800 M	215	68	60	175	89	300	58	110	255	R 3/4"	73	157
2154320011	215-4-3200 M	215	68	60	190	99	320	58	110	255	R 3/4"	82	174
215550011	215-5-500 M	215	68	60	85	26	180	58	110	255	R 3/4"	22	60
2155100011	215-5-1000 M	215	68	60	100	36	200	58	110	255	R 3/4"	32	80
2155150011	215-5-1500 M	215	68	60	115	46	220	58	110	255	R 3/4"	42	100
2155200011	215-5-2000 M	215	68	60	130	56	240	58	110	255	R 3/4"	52	120
2155250011	215-5-2500 M	215	68	60	145	69	260	58	110	255	R 3/4"	62	140
2155300011	215-5-3000 M	215	68	60	160	79	280	58	110	255	R 3/4"	72	160
2155350011	215-5-3500 M	215	68	60	175	89	300	58	110	255	R 3/4"	82	180
2155400011	215-5-4000 M	215	68	60	190	99	320	58	110	255	R 3/4"	92	200
215660011	215-6-600 M	215	68	60	85	26	180	58	110	255	R 3/4"	23	63
2156120011	215-6-1200 M	215	68	60	100	36	200	58	110	255	R 3/4"	33	83
2156180011	215-6-1800 M	215	68	60	115	46	220	58	110	255	R 3/4"	43	103
2156240011	215-6-2400 M	215	68	60	130	56	240	58	110	255	R 3/4"	53	123
2156300011	215-6-3000 M	215	68	60	145	69	260	58	110	255	R 3/4"	63	143
2156360011	215-6-3600 M	215	68	60	160	79	280	58	110	255	R 3/4"	73	163
2156420011	215-6-4200 M	215	68	60	175	89	300	58	110	255	R 3/4"	83	183
2156480011	215-6-4800 M	215	68	60	190	99	320	58	100	255	R 3/4"	93	203
215770011	215-7-700 M	215	68	60	85	26	180	58	110	255	R 3/4"	25	65
2157140011	215-7-1400 M	215	68	60	100	36	200	58	110	255	R 3/4"	35	85
2157210011	215-7-2100 M	215	68	60	115	46	220	58	110	255	R 3/4"	45	105
2157280011	215-7-2800 M	215	68	60	130	56	240	58	110	255	R 3/4"	55	125
2157350011	215-7-3500 M	215	68	60	145	69	260	58	110	255	R 3/4"	65	145
2157420011	215-7-4200 M	215	68	60	160	79	280	58	110	255	R 3/4"	75	165
2157490011	215-7-4900 M	215	68	60	175	89	300	58	110	255	R 3/4"	85	185

M TİPİ / M TYPE

ÜRÜN KODU (Product Code)	TİP (Type)	A (Ø)	B (Ø)	C	E	H	H1	L (Ø)	K (Ø)	ALT KAPAK ÇAPI (Down Cover Dia.)	YAĞ GİRİŞİ (Oil Inlet)	LİTRE (Liter)	AĞIRLIK (Weight)
2157560011	215-7-5600 M	215	68	60	190	99	320	58	110	255	R 3/4"	95	205
245550011	245-5-500 M	245	68	60	85	26	180	58	110	285	R 1"	30	76
2455100011	245-5-1000 M	245	68	60	100	36	200	58	110	285	R 1"	44	101
2455150011	245-5-1500 M	245	68	60	115	46	220	58	110	285	R 1"	58	126
2455200011	245-5-2000 M	245	68	60	130	56	240	58	110	285	R 1"	72	151
2455250011	245-5-2500 M	245	68	60	145	69	260	58	110	285	R 1"	86	176
2455300011	245-5-3000 M	245	68	60	160	79	280	58	110	285	R 1"	100	201
2455350011	245-5-3500 M	245	68	60	175	89	300	58	110	285	R 1"	114	226
2455400011	245-5-4000 M	245	68	60	190	99	320	58	110	285	R 1"	128	251
245660011	245-6-600 M	245	68	60	85	26	180	58	110	285	R 1"	46	80
2456120011	245-6-1200 M	245	68	60	100	36	200	58	110	285	R 1"	60	105
2456180011	245-6-1800 M	245	68	60	115	46	220	58	110	285	R 1"	74	130
2456240011	245-6-2400 M	245	68	60	130	56	240	58	110	285	R 1"	88	155
2456300011	245-6-3000 M	245	68	60	145	69	260	58	110	285	R 1"	102	180
2456360011	245-6-3600 M	245	68	60	160	79	280	58	110	285	R 1"	116	205
2456420011	245-6-4200 M	245	68	60	175	89	300	58	110	285	R 1"	130	230
2456480011	245-6-4800 M	245	68	60	190	99	320	58	110	285	R 1"	144	255
245770011	245-7-700 M	245	68	60	85	26	180	58	110	285	R 1"	48	83
2457140011	245-7-1400 M	245	68	60	100	36	200	58	110	285	R 1"	62	108
2457210011	245-7-2100 M	245	68	60	115	46	220	58	110	285	R 1"	76	133
2457280011	245-7-2800 M	245	68	60	130	56	240	58	110	285	R 1"	90	158
2457350011	245-7-3500 M	245	68	60	145	69	260	58	110	285	R 1"	104	183
2457420011	245-7-4200 M	245	68	60	160	79	280	58	110	285	R 1"	118	208
2457490011	245-7-4900 M	245	68	60	175	89	300	58	110	285	R 1"	132	233
2457560011	245-7-5600 M	245	68	60	190	99	320	58	110	285	R 1"	146	258
245880011	245-8-800 M	245	68	60	85	26	180	58	110	285	R 1"	49	85
2458160011	245-8-1600 M	245	68	60	100	36	200	58	110	285	R 1"	63	110
2458240011	245-8-2400 M	245	68	60	115	46	220	58	110	285	R 1"	77	135
2458320011	245-8-3200 M	245	68	60	130	56	240	58	110	285	R 1"	91	160
2458400011	245-8-4000 M	245	68	60	145	69	260	58	110	285	R 1"	105	185
2458480011	245-8-4800 M	245	68	60	160	79	280	58	110	285	R 1"	119	210
2458560011	245-8-5600 M	245	68	60	175	89	300	58	110	285	R 1"	133	235
2458640011	245-8-6400 M	245	68	60	190	99	320	58	110	285	R 1"	147	260

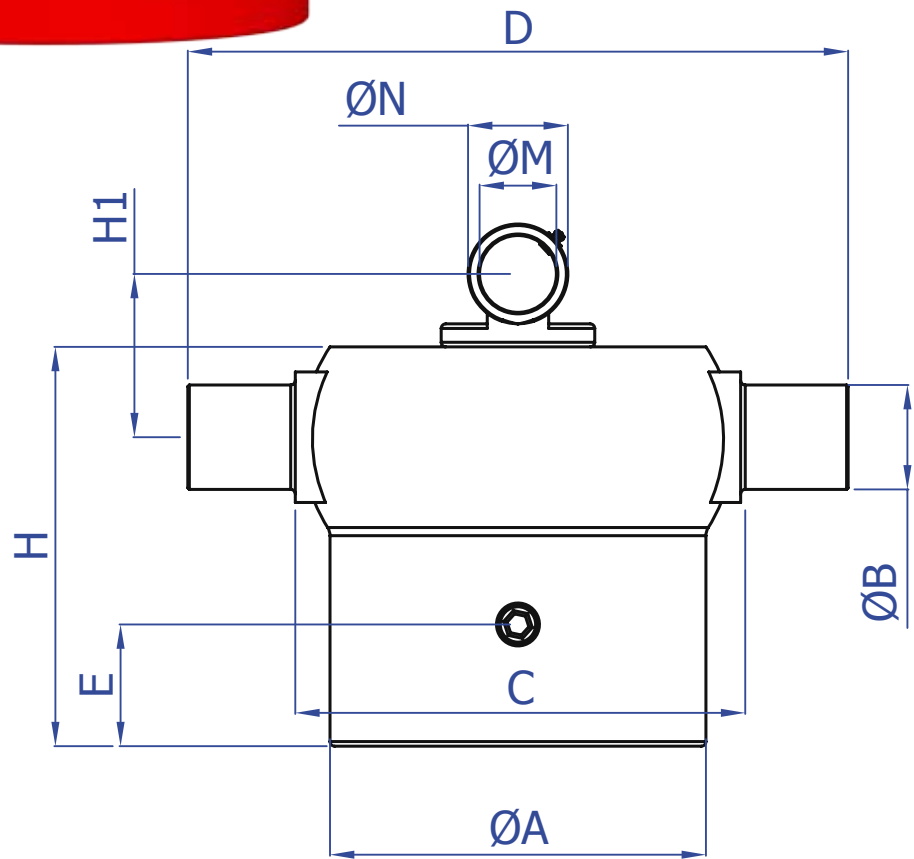
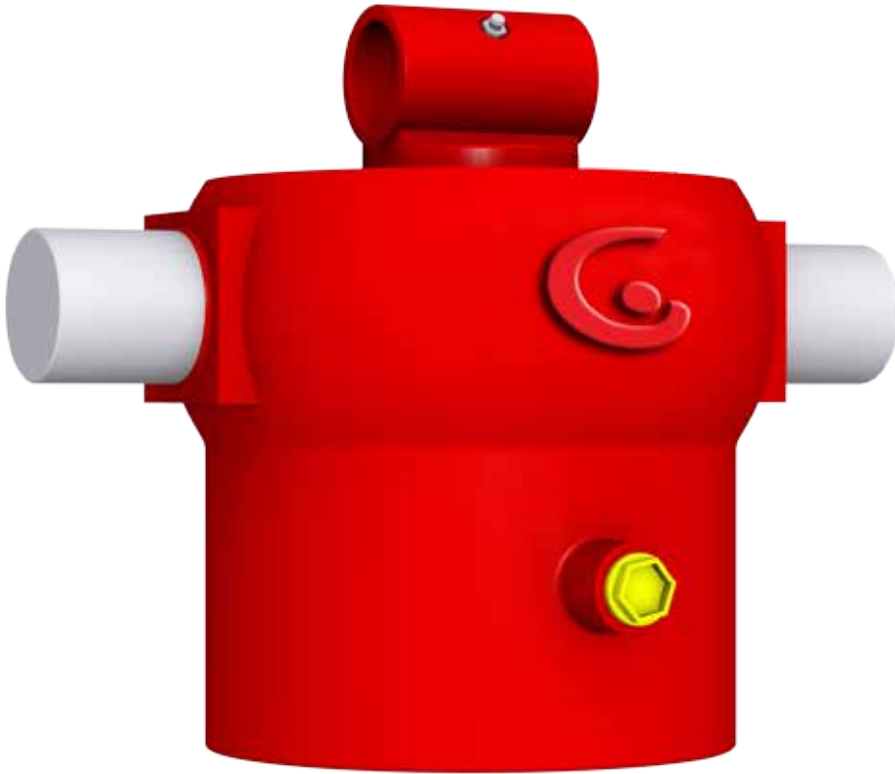
N TIPI / N TYPE



N TİPİ / N TYPE

ÜRÜN KODU (Product Code)	TİP (Type)	A (Ø)	B (Ø)	L (Ø)	K (Ø)	H	H1	YAĞ GİRİŞİ (Oil Inlet)	LİTRE (Liter)	AĞIRLIK (Weight)
165360012	165-3-600 N	165	215	58	110	200	90	R 3/4"	14	52
165390012	165-3-900 N	165	215	58	110	300	90	R 3/4"	15	62
1653105012	165-3-1050 N	165	215	58	110	350	90	R 3/4"	17	67
1653120012	165-3-1200 N	165	215	58	110	400	90	R 3/4"	19	72
1653135012	165-3-1350 N	165	215	58	110	450	90	R 3/4"	21	77
1653150012	165-3-1500 N	165	215	58	110	500	90	R 3/4"	23	82
165480012	165-4-800 N	165	215	58	110	200	90	R 3/4"	15	56
1654120012	165-4-1200 N	165	215	58	110	300	90	R 3/4"	18	67
1654140012	165-4-1400 N	165	215	58	110	350	90	R 3/4"	20	73
1654160012	165-4-1600 N	165	215	58	110	400	90	R 3/4"	22	78
1654180012	165-4-1800 N	165	215	58	110	450	90	R 3/4"	24	84
1654200012	165-4-2000 N	165	215	58	110	500	90	R 3/4"	26	90
1655100012	165-5-1000 N	165	215	58	110	200	90	R 3/4"	14	60
1655150012	165-5-1500 N	165	215	58	110	300	90	R 3/4"	17	71
1655175012	165-5-1750 N	165	215	58	110	350	90	R 3/4"	19	78
1655200012	165-5-2000 N	165	215	58	110	400	90	R 3/4"	21	85
1655225012	165-5-2250 N	165	215	58	110	450	90	R 3/4"	23	92
1655250012	165-5-2500 N	165	215	58	110	500	90	R 3/4"	25	100
190360012	190-3-600 N	190	240	58	110	200	90	R 3/4"	21	65
190390012	190-3-900 N	190	240	58	110	300	90	R 3/4"	24	77
1903105012	190-3-1050 N	190	240	58	110	350	90	R 3/4"	26	83
1903120012	190-3-1200 N	190	240	58	110	400	90	R 3/4"	28	90
1903135012	190-3-1350 N	190	240	58	110	450	90	R 3/4"	31	97
1903150012	190-3-1500 N	190	240	58	110	500	90	R 3/4"	34	105
190480012	190-4-800 N	190	240	58	110	200	90	R 3/4"	18	70
1904120012	190-4-1200 N	190	240	58	110	300	90	R 3/4"	24	84
1904140012	190-4-1400 N	190	240	58	110	350	90	R 3/4"	28	92
1904160012	190-4-1600 N	190	240	58	110	400	90	R 3/4"	32	100
1904180012	190-4-1800 N	190	240	58	110	450	90	R 3/4"	36	108
1904200012	190-4-2000 N	190	240	58	110	500	90	R 3/4"	40	117
1905100012	190-5-1000 N	190	240	58	110	200	90	R 3/4"	19	75
1905150012	190-5-1500 N	190	240	58	110	300	90	R 3/4"	26	91
1905175012	190-5-1750 N	190	240	58	110	350	90	R 3/4"	29	98
1905200012	190-5-2000 N	190	240	58	110	400	90	R 3/4"	32	106
1905225012	190-5-2250 N	190	240	58	110	450	90	R 3/4"	35	114
1905250012	190-5-2500 N	190	240	58	110	500	90	R 3/4"	38	123

P TIPI / P TYPE

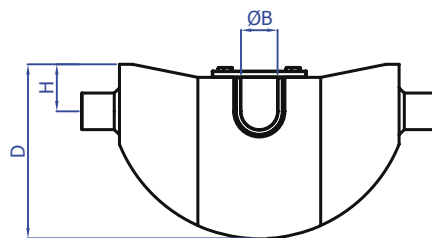
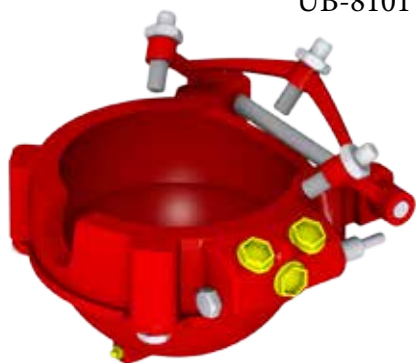


P TİPİ / P TYPE

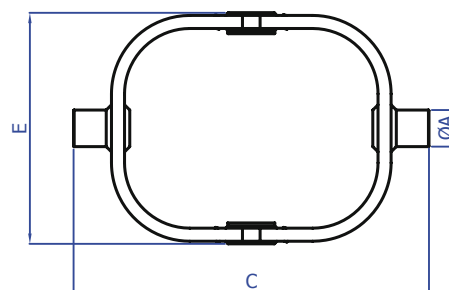
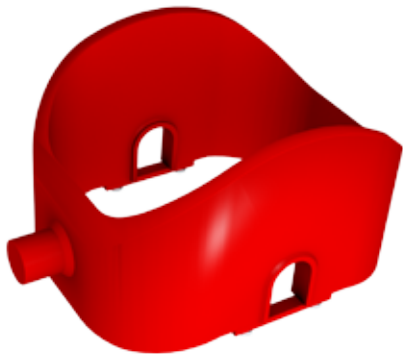
ÜRÜN KODU (Product Code)	TİP (Type)	A (Ø)	B (Ø)	C	D	E	H	H1	N (Ø)	M (Ø)	YAĞ GİRİŞİ (Oil Inlet)	LİTRE (Liter)	AĞIRLIK (Weight)
190550013	190-5-500 P	190	68	235	355	90	260	150	50	70	R3/4"	16	55
190575013	190-5-750 P	190	68	235	355	90	310	150	50	70	R3/4"	19	63
1905100013	190-5-1000 P	190	68	235	355	90	360	150	50	70	R3/4"	22	71
190660013	190-6-600 P	190	68	235	355	90	260	150	50	70	R3/4"	17	59
190690013	190-6-900 P	190	68	235	355	90	310	150	50	70	R3/4"	20	67
1906120013	190-6-1200 P	190	68	235	355	90	360	150	50	70	R3/4"	23	75
215550013	215-5-500 P	215	68	260	380	90	260	150	50	70	R3/4"	24	63
215575013	215-5-750 P	215	68	260	380	90	310	150	50	70	R3/4"	27	73
2155100013	215-5-1000 P	215	68	260	380	90	360	150	50	70	R3/4"	30	83
215660013	215-6-600 P	215	68	260	380	90	260	150	50	70	R3/4"	27	67
215690013	215-6-900 P	215	68	260	380	90	310	150	50	70	R3/4"	30	77
2156120013	215-6-1200 P	215	68	260	380	90	360	150	50	70	R3/4"	33	87
215770013	215-7-700 P	215	68	260	380	90	260	150	50	70	R3/4"	30	70
2157105013	215-7-1050 P	215	68	260	380	90	310	150	50	70	R3/4"	33	80
2157140013	215-7-1400 P	215	68	260	380	90	360	150	50	70	R3/4"	37	90
245550013	245-5-500 P	245	68	290	415	90	260	150	50	70	R3/4"	30	75
245575013	245-5-750 P	245	68	290	415	90	310	150	50	70	R3/4"	36	88
2455100013	245-5-1000 P	245	68	290	415	90	360	150	50	70	R3/4"	42	101
245660013	245-6-600 P	245	68	290	415	90	260	150	50	70	R3/4"	32	79
245690013	245-6-900 P	245	68	290	415	90	310	150	50	70	R3/4"	38	93
2456120013	245-6-1200 P	245	68	290	415	90	360	150	50	70	R3/4"	44	107
245770013	245-7-700 P	245	68	290	415	90	260	150	50	70	R3/4"	34	84
2457105013	245-7-1050 P	245	68	290	415	90	310	150	50	70	R3/4"	40	99
2457140013	245-7-1400 P	245	68	290	415	90	360	150	50	70	R3/4"	46	114
245880013	245-8-800 P	245	68	290	415	90	260	150	50	70	R3/4"	36	90
2458120013	245-8-1200 P	245	68	290	415	90	310	150	50	70	R3/4"	42	106
2458160013	245-8-1600 P	245	68	290	415	90	360	150	50	70	R3/4"	48	122

ORT. KAL. BAĞL. EL. / UNDER BODY SPARE PARTS

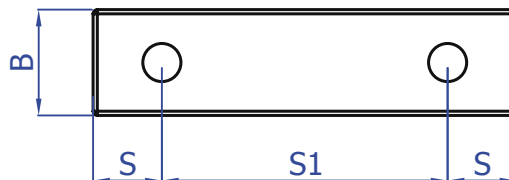
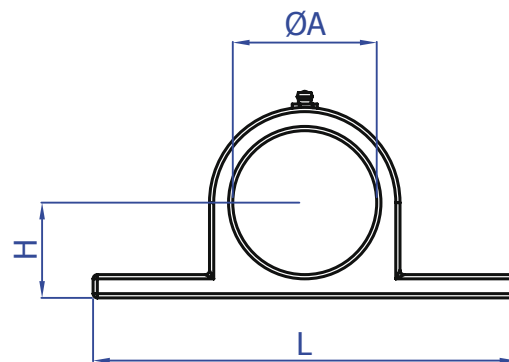
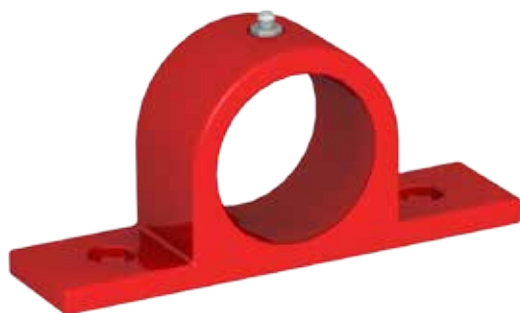
UB-8101



UB-8102



UB-8103



MALZEME BİLGİSİ / MATERIALS INFO

- Üretimde kullanılan borular sıcak çekim DIN 2393 ST-52 BKS kalitesindedir.
- Silindirde kullanılan her bir kademe ölçüsü 190 bara dayanıklılık gösterecek şekilde tasarlanmıştır.
- Tüm silindir kademe yüzeyleri 40 mikron sert krom kaplıdır.
- Geliştirilmiş yataklama yüzeyleri silindirin daha verimli ve güvenli çalışmasını sağlar.
- Hassas işleme toleransları sızdırmazlık elemanlarının en iyi şekilde görev yapmasını sağlar.
- Her kademenin sızdırmazlığı poliüretan malzemeli yüksek basınç sızdırmazlık elemanları ile sağlanmaktadır.

Her kademenin 190 bar basınçta kaldırabileceği yük tablosu aşağıdadır.

MALZEME BİLGİSİ / MATERIAL INFO

- The tubes are made up of DIN ST-52 BKS material.
- Each stage used in the complete cylinders has durability upto 190 bars.
- All the stage surfaces are chrome plated with 40 micron.
- Improved guide element surfaces enable cylinder to work more efficiently and safely.
- Sensitive treatment tolerances provides guide elements to function perfectly.
- The sealing on each stage is provided with the high pressure applicable sealing kit which is made up of polyurethane material.

Check below to see each stage capacity to load and unload .

Kademe Çapı Diameter	İtme Kuvveti Thrust Force
190 bar	
mm	ton
Ø 212	68,42
Ø 185	52,08
Ø 160	38,95
Ø 135	27,73
Ø 115	20,12
Ø 95	13,73
Ø 75	8,56
Ø 55	4,60



