



**Gemma**  
AUTOMOTIVE



**Önemli Uyarı:**

- Bu katalogta bulunan görsel resim, tasarım ve teknik çizimlerin her türlü hakkı Gemma Otomotiv Ltd. Şti 'ye aittir. İzinsiz Kullanılamaz ve Kopyalanamaz.
- Gemma Otomotiv ölçü ve teknik resimler dizaynında değişiklik yapma hakkı saklıdır.



**Important Notice:**

- All the rights of the drawings and photos belongs to Gemma Automotive Ltd. Şti.
- Forbidden using and and copying without permission Gemma reserves the rights of modifying any drawing or photo without any notice.

### Who We Are...

GEMMA AUTOMOTIVE was established in 1988 and started to work in industrial oil sector. Establishing gas stations and becoming a member of the hydraulic factory in Konya Turkey, the company has become one of the most popular names in hydraulics with the productions and exportation of many series of Hydraulic Pumps, Power Take Offs for the trucks made in America, Europe and Japan, Telescopic Cylinder ranges, Mobile Cranes, Hydraulic Valves, Adapters and Cardan Shafts and wet kits. The factory, with more than 20 years experience, certificated our quality standards not only with ISO-9001 but also with CE and TSE certificates.

As an OEM of leading manufacturers throughout the world, the company has been developing new projects upon requests.

With the professional staff, team working, high quality, competitive prices and with on time deliveries, now, successfully, our products are exported to America, Europe, Africa, Australia and also Asia continent.



### MISSION AND VISION

#### WE AIM TO

- Focus on customer satisfaction so as to welcome the demands at the highest level;
- Follow the innovations with our R&D studies;
- Provide professional and qualified service at competitive rates;
- Respond shortly to the client's needs;
- Adopt a friendly and approachable way;
- Keep regular contact with the clients;
- Improve, constantly, the quality of legal advice through specialization;
- Produce high quality products;
- Increase the market share in the sector each year;

#### AND HAVE SUCCEEDED IN

- Employing competent and experienced support staff;
- Maximizing the team work;
- Investing in the latest machinery and hydraulic systems according to our customers demands;
- Engaging the services of leading practice management consultants.
- Satisfying the clients in 6 continents.

## Strok Hesabı / Stroke Calculation

Teleskopik silindirlerin kullanımında kasadaki yükü en verimli şekilde boşaltabilmeleri için, silindir tam açık seviyedeysen kasa ve şase arasındaki tavsiye edilen minimum açı 42°, maksimum açı 55° dir.

### Yükün Boşalması için gerekli olan silindir strokunun hesaplama formülü

Formül doğrultusunda kasa boyuna göre olması gereken strok veya strok yüksekliğine göre kasa boyunun olması gereken değerleri tablolarda belirtilmiştir.

G = Gerekli Strok

M = Kasa ve silindir arasındaki montaj açısı değeri

M = Kasa pimi ve silindir pimi ve arasındaki mesafe (mm)

$$\text{Gerekli strok} = G = M \times M$$

Recommended minimum angle is 42°, maximum angle is 55° when the cylinder is totally open between chassis and body and once the cylinders all stages are totally open. This values are recommended so as to empty the load with maximum efficiency.

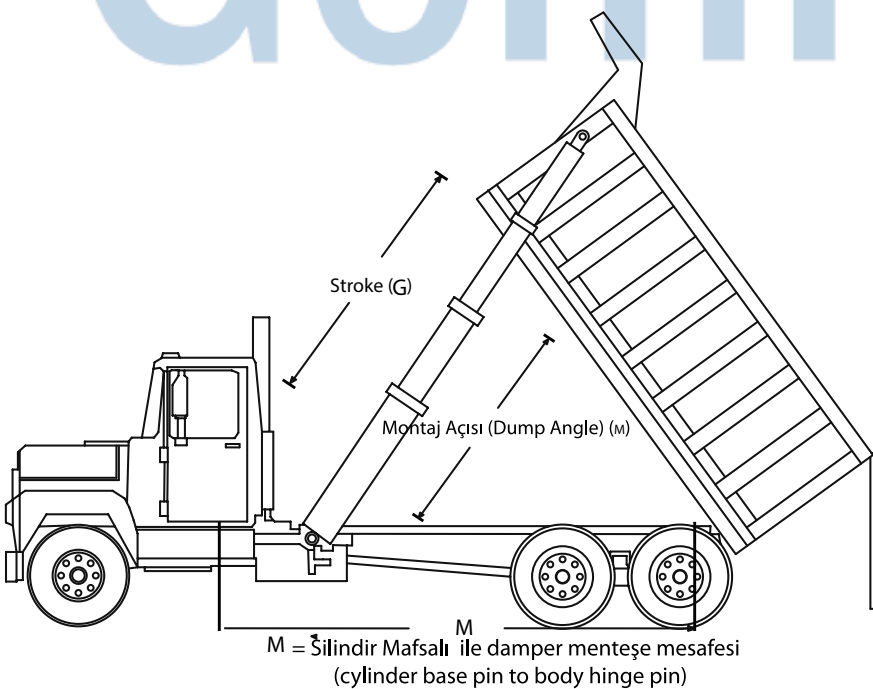
According to stroke calculation formula for emptying the load, the recommended values of body are indicated on the table. Shown on the table, you can see the stroke and stroke length according to the body length of the truck.

G = Required Stroke

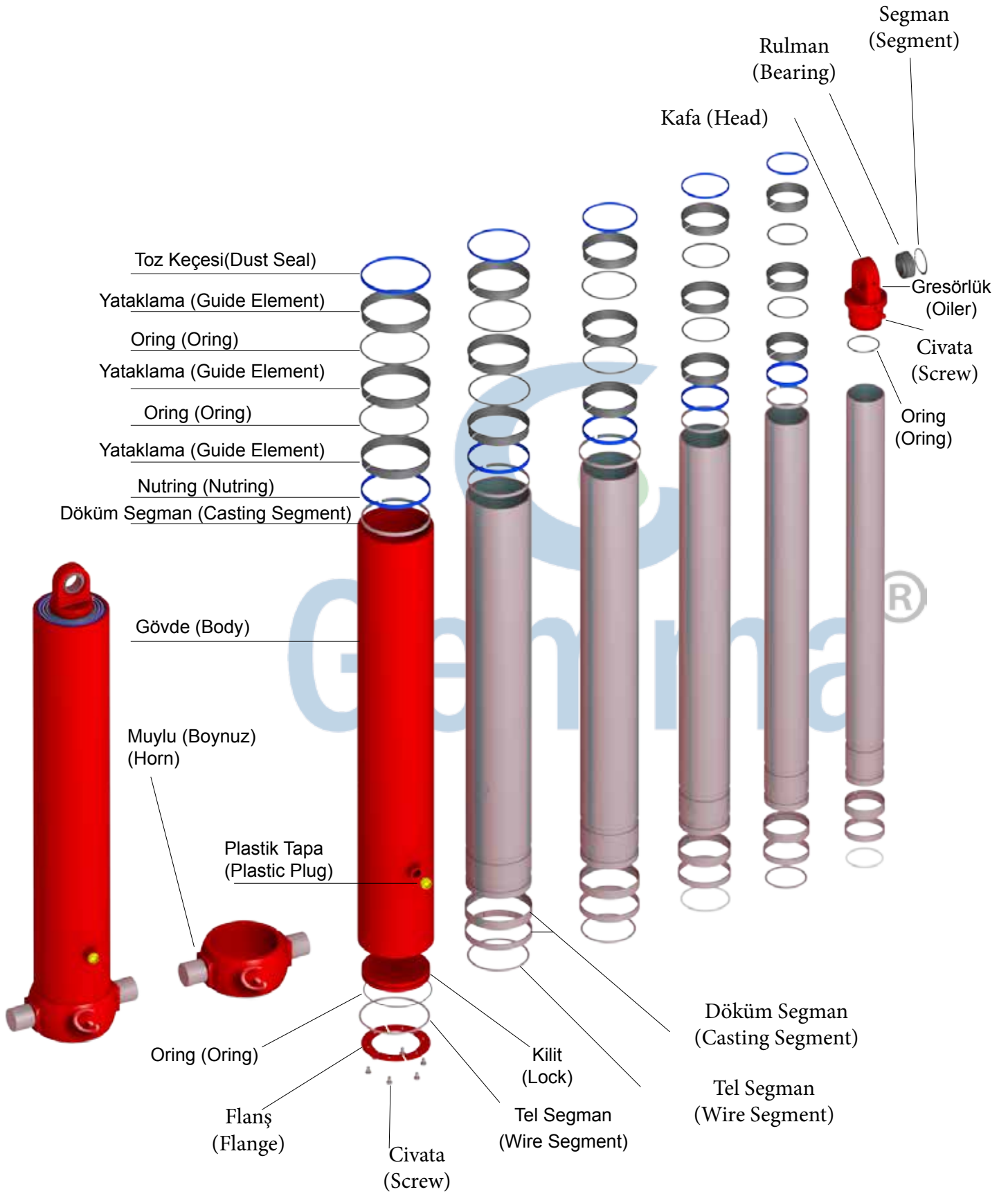
M = The angle between body and cylinder

M = Distance between the body hinge pin and cylinder base required stroke (mm)

$$\text{Required stroke} = G = M \times M$$



G değerini bulma (Getting M Value)	
Montaj Açısı (Assembly Angle)	M
40	0,684
41	0,700
42	0,717
43	0,733
44	0,749
45	0,765
46	0,781
47	0,797
48	0,813
49	0,829
50	0,845
51	0,861
52	0,877
53	0,892
54	0,908
55	0,923



## Ürün Kodlama Sistemi Product Coding System

138

Dış Kovan Çapı  
(Outer Tube Diameter)

3

Kademe Sayısı  
(Number of Stages)

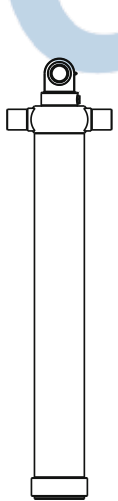
1950

Strok  
(Stroke)

01

Silindir Tipi  
(Cylinder Type)

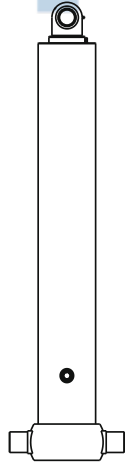
A	01
B	02
C	03
D	04
E	05
F	06
H	07
K	09
L	10
M	11
N	12
P	13



A



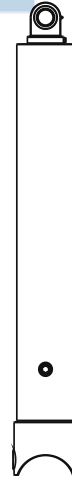
B



C



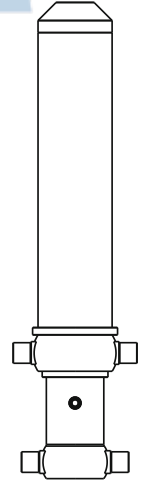
D



E

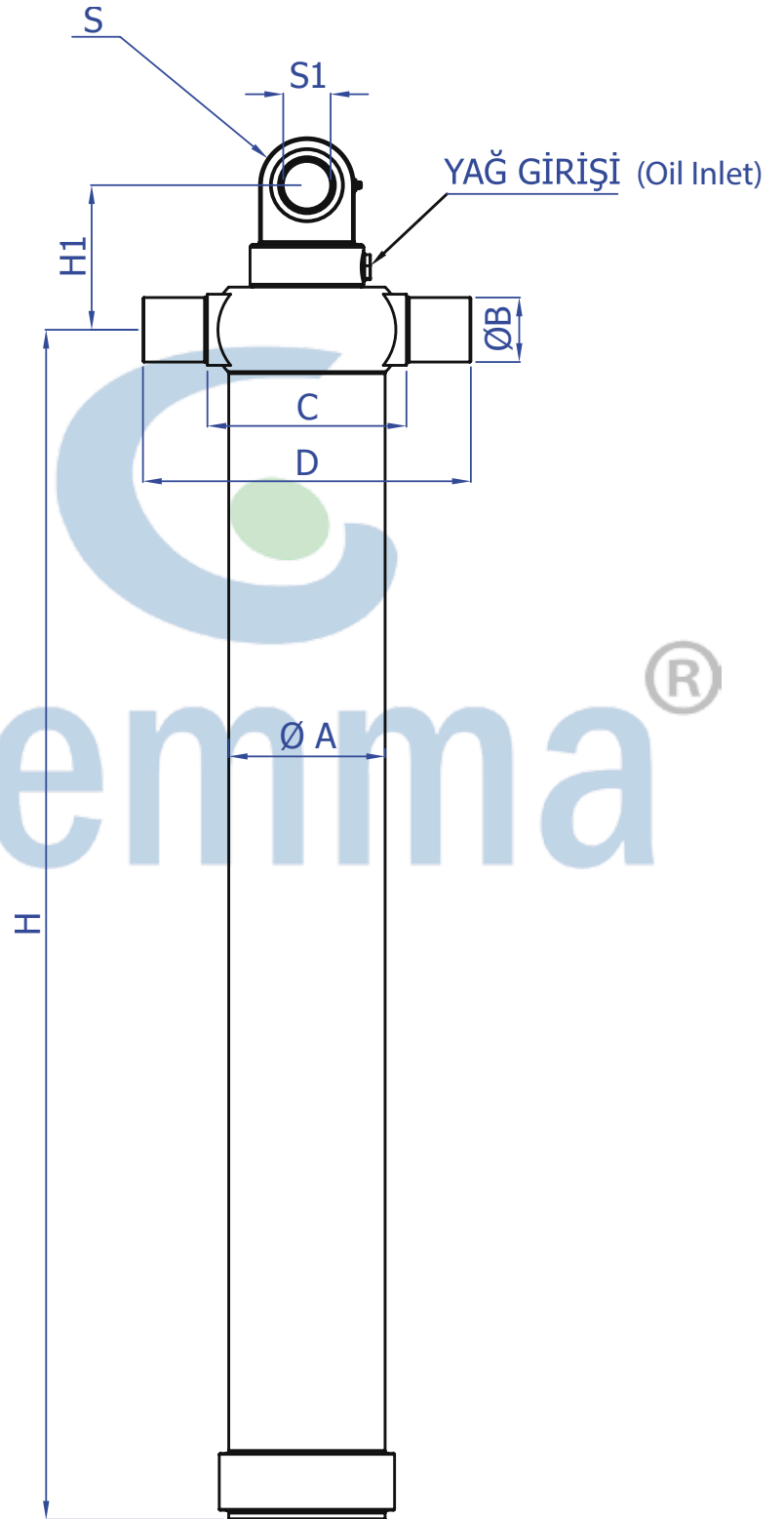
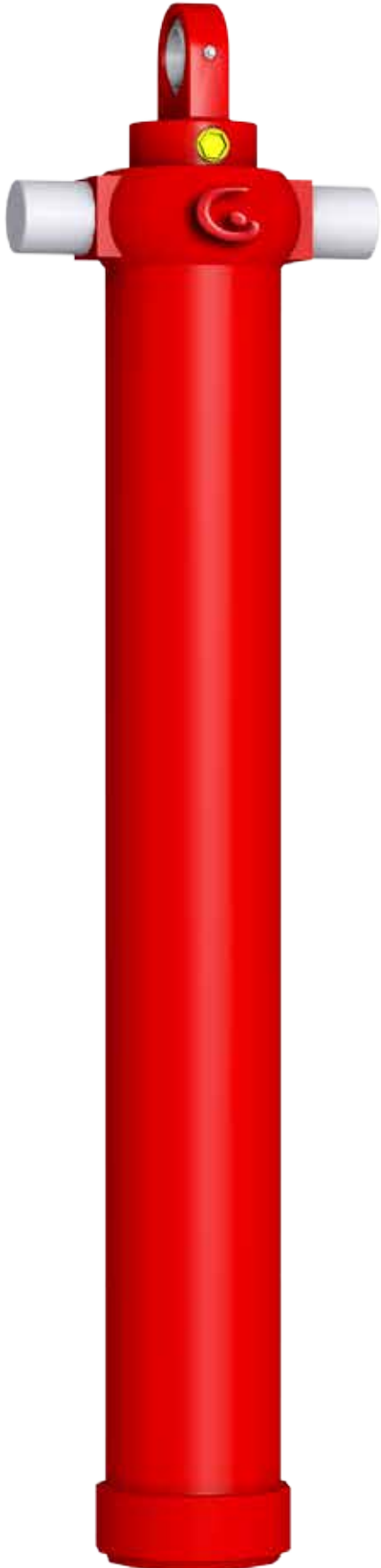


F



H

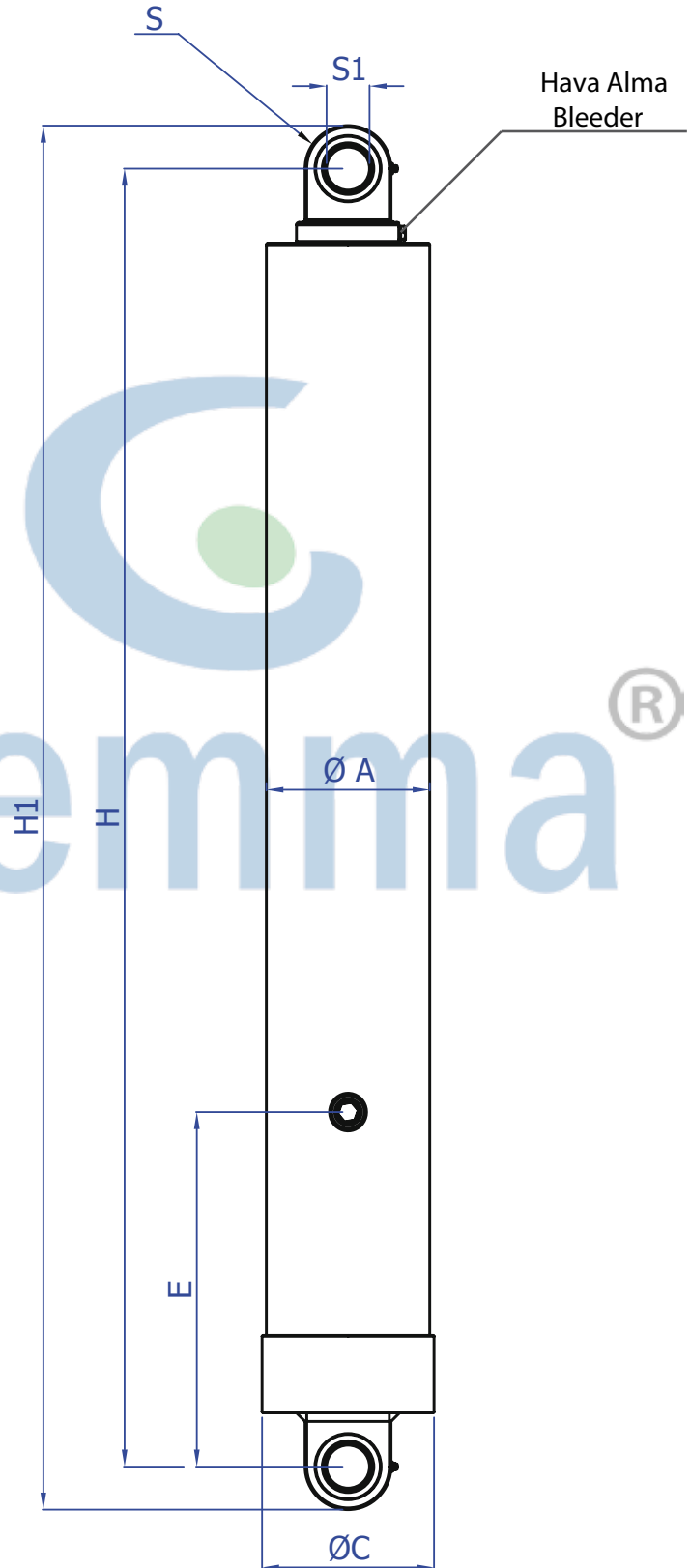
A TİPİ / A TYPE



## A TİPİ / A TYPE

ÜRÜN KODU (Product Code)	TİP (Type)	A (Ø)	B (Ø)	C	D	H	H1	S	S1	M <sup>3</sup>	YAĞ GİRİŞİ (Oil Inlet)	LİTRE (Liter)	AĞIRLIK (Weight)
1383195001	138-3-1950 A	138	55	180	280	790	180	40	50	6	R3/4"	24	85
1383225001	138-3-2250 A	138	55	180	280	890	180	40	50	6	R3/4"	26	93
1383255001	138-3-2550 A	138	55	180	280	990	180	40	50	6	R3/4"	29	100
1383300001	138-3-3000 A	138	55	180	280	1140	180	40	50	12	R3/4"	31	111
1383315001	138-3-3150 A	138	55	180	280	1290	180	40	50	12	R3/4"	35	123
1653195001	165-3-1950 A	165	68	210	330	780	180	40	50	13-15	R3/4"	33	113
1653225001	165-3-2250 A	165	68	210	330	880	180	40	50	13-15	R3/4"	36	123
1653255001	165-3-2550 A	165	68	210	330	980	180	40	50	13-15	R3/4"	41	134
1653300001	165-3-3000 A	165	68	210	330	1130	180	40	50	13-15	R3/4"	48	147
1653315001	165-3-3150 A	165	68	210	330	1280	180	40	50	13-15	R3/4"	54	162
1654260001	165-4-2600 A	165	68	210	330	780	180	40	50	13-15	R3/4"	33	125
1654300001	165-4-3000 A	165	68	210	330	880	180	40	50	13-15	R3/4"	38	136
1654340001	165-4-3400 A	165	68	210	330	980	180	40	50	13-15	R3/4"	44	148
1654400001	165-4-4000 A	165	68	210	330	1130	180	40	50	13-15	R3/4"	51	164
1654420001	165-4-4200 A	165	68	210	330	1280	180	40	50	13-15	R3/4"	58	184
1903300001	190-3-3000 A	190	68	235	355	1120	205	40	50	10-12	R3/4"	80	165
1903315001	190-3-3150 A	190	68	235	355	1270	205	40	50	10-12	R3/4"	68	192
1903345001	190-3-3450 A	190	68	235	355	1370	205	40	50	13-15	R3/4"	75	211
1903375001	190-3-3750 A	190	68	235	355	1470	205	40	50	13-15	R3/4"	83	224
1903405001	190-3-4050 A	190	68	235	355	1570	205	40	50	13-15	R3/4"	89	236
1904345001	190-4-3450 A	190	68	235	355	970	205	40	50	13-15	R3/4"	95	248
1904400001	190-4-4000 A	190	68	235	355	1120	205	40	50	13-15	R3/4"	74	252
1904420001	190-4-4200 A	190	68	235	355	1270	205	40	50	16-20	R3/4"	84	233
1904460001	190-4-4600 A	190	68	235	355	1370	205	40	50	16-20	R3/4"	90	254
1904500001	190-4-5000 A	190	68	235	355	1470	205	40	50	16-20	R3/4"	97	275
1904540001	190-4-5400 A	190	68	235	355	1570	205	40	50	16-20	R3/4"	103	294
1905425001	190-5-4250 A	190	68	235	355	970	205	40	50	16-20	R3/4"	67	206
1905500001	190-5-5000 A	190	68	235	355	1120	205	40	50	16-20	R3/4"	77	229
1905525001	190-5-5250 A	190	68	235	355	1270	205	40	50	16-20	R3/4"	87	253
1905575001	190-5-5750 A	190	68	235	355	1370	205	40	50	16-20	R3/4"	94	268
1905625001	190-5-6250 A	190	68	235	355	1470	205	40	50	16-20	R3/4"	101	284
1905675001	190-5-6750 A	190	68	235	355	1570	205	40	50	16-20	R3/4"	108	300

B TIPI / B TYPE

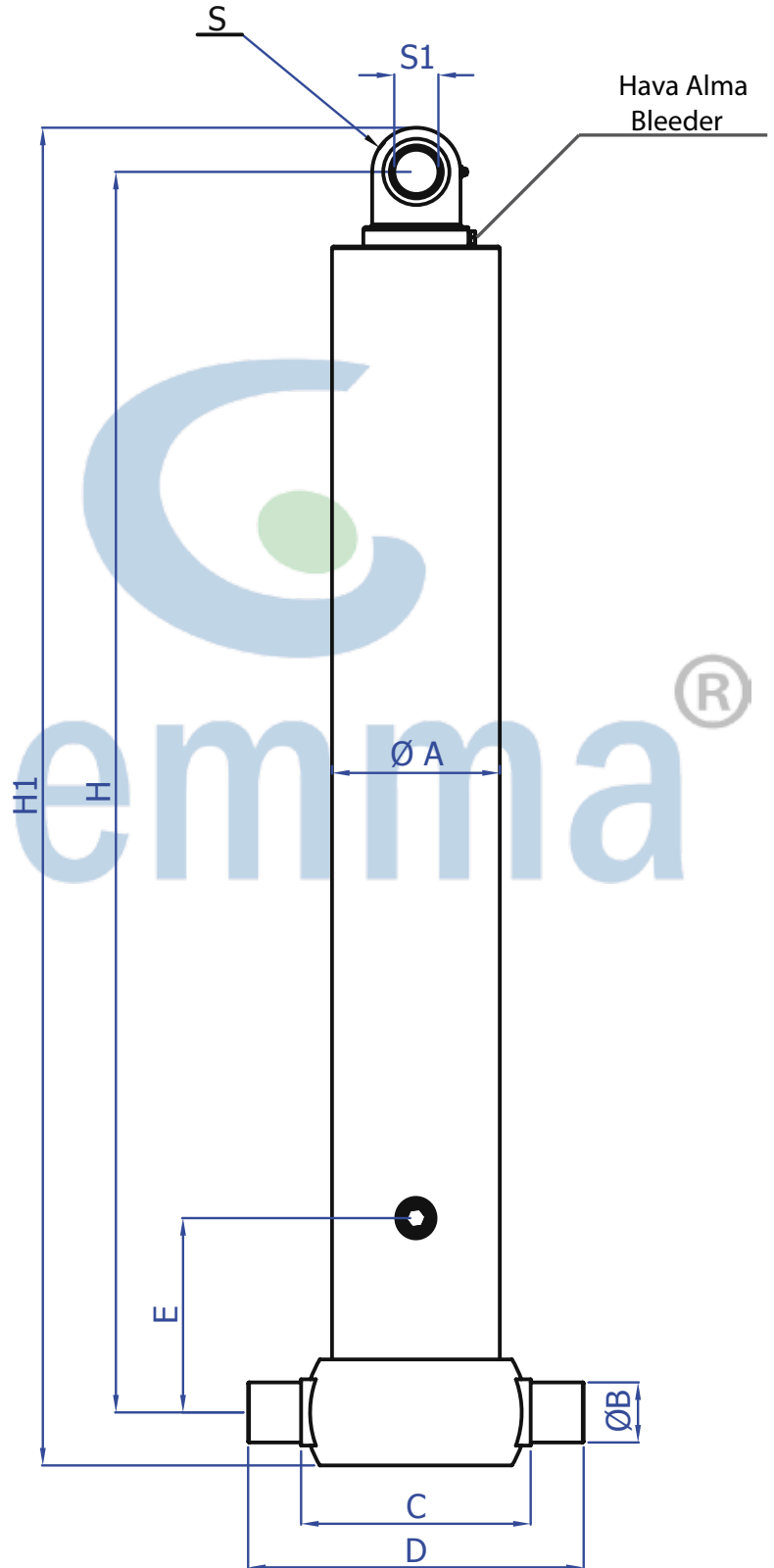
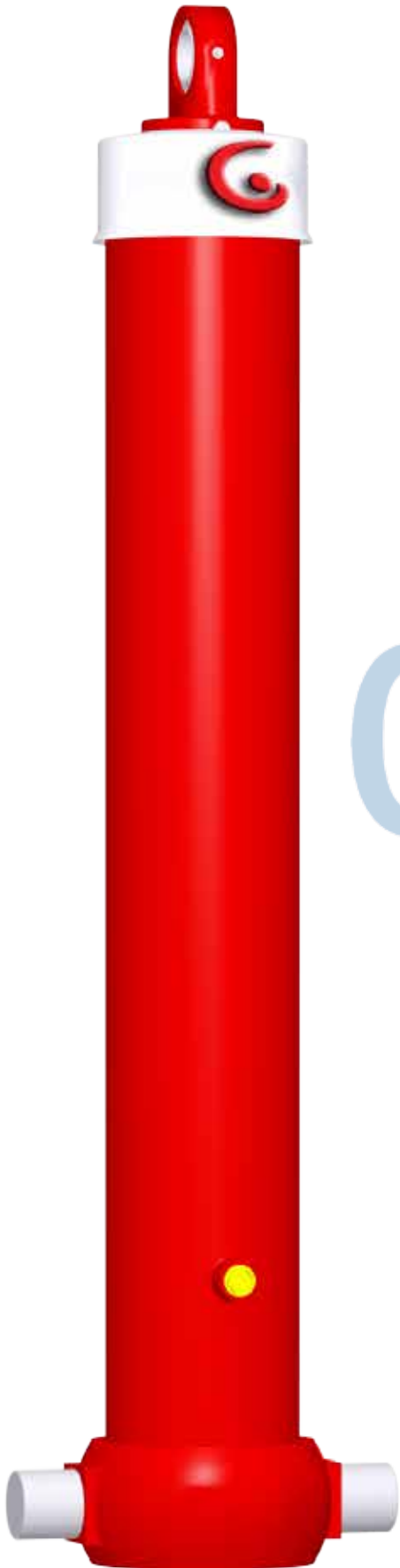




## B TİPİ / B TYPE

ÜRÜN KODU (Product Code)	TİP (Type)	ØA	H	H1	ØC	S	S1	E	M <sup>3</sup>	YAĞ GİRİŞİ (Oil Inlet)	LİTRE (Liter)	AĞIRLIK (Weight)
1383195002	138-3-1950 B	138	1050	1130	165	40	50	280	6	R3/4"	24	86
1383225002	138-3-2250 B	138	1150	1230	165	40	50	280	6	R3/4"	26	94
1383255002	138-3-2550 B	138	1250	1330	165	40	50	280	6	R3/4"	29	101
1383300002	138-3-3000 B	138	1400	1480	165	40	50	280	12	R3/4"	31	112
1383315002	138-3-3150 B	138	1550	1630	165	40	50	280	12	R3/4"	35	124
1653195002	165-3-1950 B	165	1050	1130	195	40	50	280	13-15	R3/4"	33	114
1653225002	165-3-2250 B	165	1150	1230	195	40	50	280	13-15	R3/4"	36	124
1653255002	165-3-2550 B	165	1250	1330	195	40	50	280	13-15	R3/4"	41	135
1653300002	165-3-3000 B	165	1400	1480	195	40	50	280	13-15	R3/4"	48	148
1653315002	165-3-3150 B	165	1550	1630	195	40	50	280	13-15	R3/4"	54	163
1654260002	165-4-2600 B	165	1050	1140	195	40	50	280	13-15	R3/4"	33	126
1654300002	165-4-3000 B	165	1150	1240	195	40	50	280	13-15	R3/4"	38	137
1654340002	165-4-3400 B	165	1250	1340	195	40	50	280	13-15	R3/4"	44	149
1654400002	165-4-4000 B	165	1400	1490	195	40	50	280	13-15	R3/4"	51	165
1654420002	165-4-4200 B	165	1550	1640	195	40	50	280	13-15	R3/4"	58	185
1903300002	190-3-3000 B	190	1400	1480	220	40	50	280	10-12	R3/4"	68	193
1903315002	190-3-3150 B	190	1550	1630	220	40	50	280	10-12	R3/4"	75	212
1903345002	190-3-3450 B	190	1650	1730	220	40	50	280	13-15	R3/4"	83	224
1903375002	190-3-3750 B	190	1750	1830	220	40	50	280	13-15	R3/4"	89	236
1903405002	190-3-4050 B	190	1850	1930	220	40	50	280	13-15	R3/4"	95	248
1904340002	190-4-3400 B	190	1250	1340	220	40	50	280	13-15	R3/4"	64	192
1904400002	190-4-4000 B	190	1400	1490	220	40	50	280	13-15	R3/4"	74	213
1904420002	190-4-4200 B	190	1550	1640	220	40	50	280	16-20	R3/4"	84	234
1904460002	190-4-4600 B	190	1650	1740	220	40	50	280	16-20	R3/4"	90	255
1904500002	190-4-5000 B	190	1750	1840	220	40	50	280	16-20	R3/4"	97	276
1904540002	190-4-5400 B	190	1850	1940	220	40	50	280	16-20	R3/4"	103	295
1905425002	190-5-4250 B	190	1250	1350	220	40	50	280	16-20	R3/4"	67	207
1905500002	190-5-5000 B	190	1400	1500	220	40	50	280	16-20	R3/4"	77	230
1905525002	190-5-5250 B	190	1550	1650	220	40	50	280	16-20	R3/4"	87	254
1905575002	190-5-5750 B	190	1650	1750	220	40	50	280	16-20	R3/4"	94	269
1905625002	190-5-6250 B	190	1750	1850	220	40	50	280	16-20	R3/4"	101	285
1905675002	190-5-6750 B	190	1850	1950	220	40	50	280	16-20	R3/4"	108	301
2154400002	215-4-4000 B	215	1400	1490	245	40	50	280	20-22	R3/4"	103	268
2154420002	215-4-4200 B	215	1550	1640	245	40	50	280	20-22	R3/4"	116	277
2155500002	215-5-5000 B	215	1400	1500	245	40	50	280	20-22	R3/4"	108	287
2155525002	215-5-5250 B	215	1550	1650	245	40	50	280	22-24	R3/4"	123	311
2155575002	215-5-5750 B	215	1650	1750	245	40	50	280	22-24	R3/4"	132	331
2155625002	215-5-6250 B	215	1750	1850	245	40	50	280	22-24	R3/4"	142	351
2155675002	215-5-6750 B	215	1850	1950	245	40	50	280	22-24	R3/4"	153	371

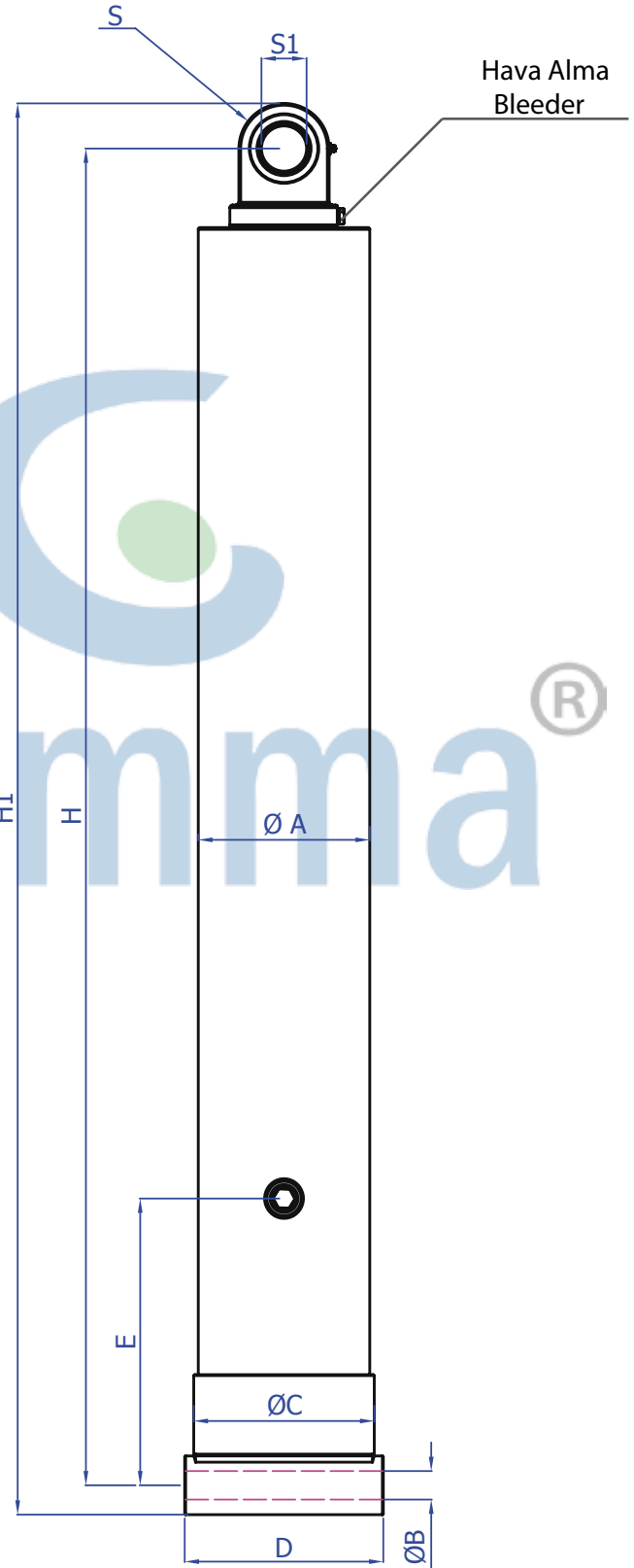
CTiPi / CTYPE



## C TİPİ / C TYPE

ÜRÜN KODU (Product Code)	TİP (Type)	A (Ø)	B (Ø)	C	D	E	H	H1	S	S1	M <sup>3</sup>	YAĞ GİRİŞİ (Oil Inlet)	LİTRE (Liter)	AĞIRLIK (Weight)
1383195003	138-3-1950 C	138	55	180	280	175	880	955	40	50	6	R3/4"	24	85
1383225003	138-3-2250 C	138	55	180	280	175	980	1055	40	50	6	R3/4"	26	93
1383255003	138-3-2550 C	138	55	180	280	175	1080	1155	40	50	6	R3/4"	29	100
1383300003	138-3-3000 C	138	55	180	280	175	1230	1305	40	50	12	R3/4"	31	111
1383315003	138-3-3150 C	138	55	180	280	175	1380	1455	40	50	12	R3/4"	35	123
1653195003	165-3-1950 C	165	68	210	330	175	880	930	40	50	13-15	R3/4"	33	113
1653225003	165-3-2250 C	165	68	210	330	175	980	1080	40	50	13-15	R3/4"	36	123
1653255003	165-3-2550 C	165	68	210	330	175	1080	1180	40	50	13-15	R3/4"	41	134
1653300003	165-3-3000 C	165	68	210	330	175	1230	1330	40	50	13-15	R3/4"	48	147
1653315003	165-3-3150 C	165	68	210	330	175	1380	1480	40	50	13-15	R3/4"	54	162
1654260003	165-4-2600 C	165	68	210	330	175	880	980	40	50	13-15	R3/4"	33	125
1654300003	165-4-3000 C	165	68	210	330	175	980	1080	40	50	13-15	R3/4"	38	136
1654340003	165-4-3400 C	165	68	210	330	175	1080	1180	40	50	13-15	R3/4"	44	148
1654400003	165-4-4000 C	165	68	210	330	175	1230	1330	40	50	13-15	R3/4"	51	164
1654420003	165-4-4200 C	165	68	210	330	175	1380	1480	40	50	13-15	R3/4"	58	184
1654460003	165-4-4600 C	165	68	210	330	175	1480	1580	40	50	13-15	R3/4"	68	204
1654500003	165-4-5000 C	165	68	210	330	175	1580	1680	40	50	13-15	R3/4"	78	224
1654540003	165-4-5400 C	165	68	210	330	175	1680	1780	40	50	13-15	R3/4"	88	244
1903255003	190-3-2550 C	190	68	235	355	175	1080	1180	40	50	10-12	R3/4"	80	165
1903300003	190-3-3000 C	190	68	235	355	175	1230	1330	40	50	10-12	R3/4"	68	192
1903315003	190-3-3150 C	190	68	235	355	175	1380	1480	40	50	10-12	R3/4"	75	211
1903345003	190-3-3450 C	190	68	235	355	175	1480	1580	40	50	13-15	R3/4"	83	224
1903375003	190-3-3750 C	190	68	235	355	175	1580	1680	40	50	13-15	R3/4"	89	236
1903405003	190-3-4050 C	190	68	235	355	175	1680	1780	40	50	13-15	R3/4"	95	248
1904340003	190-4-3400 C	190	68	235	355	175	1080	1180	40	50	13-15	R3/4"	64	191
1904400003	190-4-4000 C	190	68	235	355	175	1230	1330	40	50	13-15	R3/4"	74	213
1904420003	190-4-4200 C	190	68	235	355	175	1380	1480	40	50	16-20	R3/4"	84	233
1904460003	190-4-4600 C	190	68	235	355	175	1480	1580	40	50	16-20	R3/4"	90	254
1904500003	190-4-5000 C	190	68	235	355	175	1580	1680	40	50	16-20	R3/4"	97	275
1904540003	190-4-5400 C	190	68	235	355	175	1680	1780	40	50	16-20	R3/4"	103	294
1905425003	190-5-4250 C	190	68	235	355	175	1080	1180	40	50	16-20	R3/4"	67	206
1905500003	190-5-5000 C	190	68	235	355	175	1230	1330	40	50	16-20	R3/4"	77	229
1905525003	190-5-5250 C	190	68	235	355	175	1380	1480	40	50	16-20	R3/4"	87	253
1905575003	190-5-5750 C	190	68	235	355	175	1480	1580	40	50	16-20	R3/4"	94	268
1905625003	190-5-6250 C	190	68	235	355	175	1580	1680	40	50	16-20	R3/4"	101	284
1905675003	190-5-6750 C	190	68	235	355	175	1680	1780	40	50	16-20	R3/4"	108	300
1905725003	190-5-7250 C	190	68	235	355	175	1780	1880	40	50	16-20	R3/4"	116	316
1905775003	190-5-7750 C	190	68	235	355	175	1880	1980	40	50	16-20	R3/4"	128	332
2154340003	215-4-3400 C	215	68	260	380	175	1080	1180	40	50	16-20	R3/4"	91	237
2154400003	215-4-4000 C	215	68	260	380	175	1230	1330	40	50	20-22	R3/4"	103	247
2154420003	215-4-4200 C	215	68	260	380	175	1380	1480	40	50	20-22	R3/4"	118	276
2154460003	215-4-4600 C	215	68	260	380	175	1480	1580	40	50	20-22	R3/4"	127	297
2154500003	215-4-5000 C	215	68	260	380	175	1580	1680	40	50	20-22	R3/4"	135	320
2154540003	215-4-5400 C	215	68	260	380	175	1680	1780	40	50	20-22	R3/4"	143	347
2155425003	215-5-4250 C	215	68	260	380	175	1080	1180	40	50	20-22	R3/4"	96	247
2155500003	215-5-5000 C	215	68	260	380	175	1230	1330	40	50	20-22	R3/4"	110	286
2155525003	215-5-5250 C	215	68	260	380	175	1380	1480	40	50	20-22	R3/4"	124	310
2155575003	215-5-5750 C	215	68	260	380	175	1480	1580	40	50	20-22	R3/4"	133	330
2155625003	215-5-6250 C	215	68	260	380	175	1580	1680	40	50	20-22	R 1"	143	350
2155675003	215-5-6750 C	215	68	260	380	175	1680	1780	40	50	20-22	R 1"	154	370
2155725003	215-5-7250 C	215	68	260	380	175	1780	1880	40	50	20-22	R 1"	165	390
2155775003	215-5-7750 C	215	68	260	380	175	1880	1980	40	50	20-22	R 1"	171	413
2434340003	243-4-3400 C	243	68	295	415	175	1080	1180	40	50	26-32	R 1"	123	299
2434400003	243-4-4000 C	243	68	295	415	175	1230	1330	40	50	26-32	R 1"	141	329
2434420003	243-4-4200 C	243	68	295	415	175	1380	1480	40	50	26-32	R 1"	160	364
2434460003	243-4-4600 C	243	68	295	415	175	1480	1580	40	50	26-32	R 1"	172	387
2434500003	243-4-5000 C	243	68	295	415	175	1580	1680	40	50	26-32	R 1"	184	411
2434540003	243-4-5400 C	243	68	295	415	175	1680	1780	40	50	26-32	R 1"	196	434
2435425003	243-5-4250 C	243	68	295	415	175	1080	1180	40	50	26-32	R 1"	135	314
2435500003	243-5-5000 C	243	68	295	415	175	1230	1330	40	50	26-32	R 1"	150	352
2435525003	243-5-5250 C	243	68	295	415	175	1380	1480	40	50	26-32	R 1"	167	390
2435575003	243-5-5750 C	243	68	295	415	175	1480	1580	40	50	26-32	R 1"	177	415
2435625003	243-5-6250 C	243	68	295	415	175	1580	1680	40	50	26-32	R 1"	188	441
2435675003	243-5-6750 C	243	68	295	415	175	1680	1780	40	50	26-32	R 1"	209	466
2435725003	243-5-7250 C	243	68	295	415	175	1780	1880	40	50	26-32	R 1"	222	491
2435775003	243-5-7750 C	243	68	295	415	175	1880	1980	40	50	26-32	R 1"	235	517

D TIPI / D TYPE

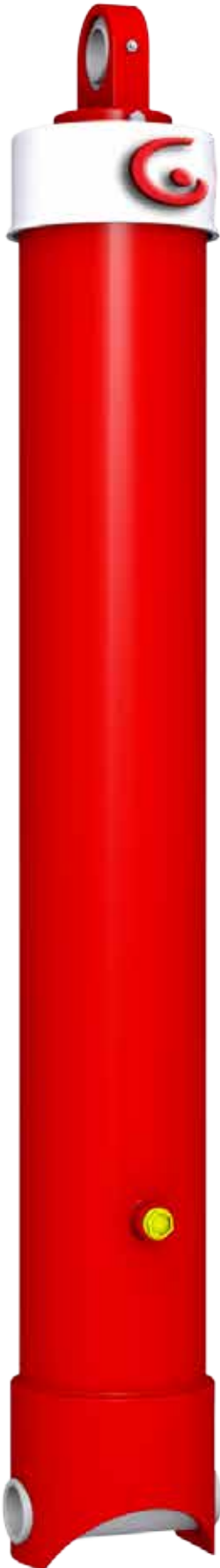


Gemma®

## D TİPİ / D TYPE

ÜRÜN KODU (Product Code)	TİP (Type)	A (Ø)	B (Ø)	H	H1	C (Ø)	D	E	S	S1	M³	YAĞ GİRİŞİ (Oil Inlet)	LİTRE (Liter)	AĞIRLIK (Weight)
1383255004	138-3-2550 D	138	40	1200	1250	165	170	280	40	50	6	R3/4"	29	101
1383300004	138-3-3000 D	138	40	1350	1400	165	170	280	40	50	12	R3/4"	31	112
1383315004	138-3-3150 D	138	40	1500	1550	165	170	280	40	50	12	R3/4"	35	124
1653255004	165-3-2550 D	165	50	1200	1250	195	200	280	40	50	13-15	R3/4"	41	135
1653300004	165-3-3000 D	165	50	1350	1400	195	200	280	40	50	13-15	R3/4"	48	148
1653315004	165-3-3150 D	165	50	1500	1550	195	200	280	40	50	13-15	R3/4"	54	163
1654334004	165-4-3400 D	165	50	1200	1250	195	200	280	40	50	13-15	R3/4"	44	157
1654400004	165-4-4000 D	165	50	1350	1400	195	200	280	40	50	13-15	R3/4"	51	164
1654420004	165-4-4200 D	165	50	1500	1550	195	200	280	40	50	13-15	R3/4"	58	185
1903300004	190-3-3000 D	190	50	1350	1400	220	225	280	40	50	10-12	R3/4"	68	193
1903315004	190-3-3150 D	190	50	1500	1550	220	225	280	40	50	10-12	R3/4"	75	212
1903345004	190-3-3450 D	190	50	1600	1650	220	225	280	40	50	13-15	R3/4"	83	225
1903375004	190-3-3750 D	190	50	1700	1750	220	225	280	40	50	13-15	R3/4"	89	237
1903405004	190-3-4050 D	190	50	1800	1860	220	225	280	40	50	13-15	R3/4"	95	249
1904340004	190-4-3400 D	190	50	1200	1260	220	225	280	40	50	13-15	R3/4"	64	192
1904400004	190-4-4000 D	190	50	1350	1410	220	225	280	40	50	13-15	R3/4"	74	213
1904420004	190-4-4200 D	190	50	1500	1560	220	225	280	40	50	16-20	R3/4"	84	234
1904460004	190-4-4600 D	190	50	1600	1660	220	225	280	40	50	16-20	R3/4"	90	255
1904500004	190-4-5000 D	190	50	1700	1760	220	225	280	40	50	16-20	R3/4"	97	276
1904540004	190-4-5400 D	190	50	1800	1860	220	225	280	40	50	16-20	R3/4"	103	295
1905425004	190-5-4250 D	190	50	1200	1260	220	225	280	40	50	16-20	R3/4"	67	207
1905500004	190-5-5000 D	190	50	1350	1410	220	225	280	40	50	16-20	R3/4"	77	230
1905525004	190-5-5250 D	190	50	1500	1560	220	225	280	40	50	16-20	R3/4"	87	254
1905575004	190-5-5750 D	190	50	1600	1660	220	225	280	40	50	16-20	R3/4"	94	269
1905625004	190-5-6250 D	190	50	1700	1760	220	225	280	40	50	16-20	R3/4"	101	285
1905675004	190-5-6750 D	190	50	1800	1860	220	225	280	40	50	16-20	R3/4"	108	301
2154340004	215-4-3400 D	215	50	1200	1260	245	270	280	40	50	22-24	R3/4"	91	237
2154400004	215-4-4000 D	215	50	1350	1410	245	270	280	40	50	22-24	R3/4"	103	247
2154420004	215-4-4200 D	215	50	1500	1560	245	270	280	40	50	22-24	R3/4"	118	276
2154460004	215-4-4600 D	215	50	1600	1660	245	270	280	40	50	22-24	R3/4"	127	297
2154500004	215-4-5000 D	215	50	1700	1760	245	270	280	40	50	22-24	R3/4"	135	320
2154540004	215-4-5400 D	215	50	1800	1860	245	270	280	40	50	22-24	R3/4"	143	347
2155425004	215-5-4250 D	215	50	1200	1260	245	270	280	40	50	22-24	R3/4"	96	247
2155500004	215-5-5000 D	215	50	1350	1410	245	270	280	40	50	22-24	R3/4"	110	286
2155525004	215-5-5250 D	215	50	1500	1560	245	270	280	40	50	22-24	R3/4"	124	310
2155575004	215-5-5750 D	215	50	1600	1660	245	270	280	40	50	22-24	R3/4"	133	330
2155625004	215-5-6250 D	215	50	1700	1760	245	270	280	40	50	22-24	R3/4"	143	350
2155675004	215-5-6750 D	215	50	1800	1860	245	270	280	40	50	22-24	R3/4"	154	370

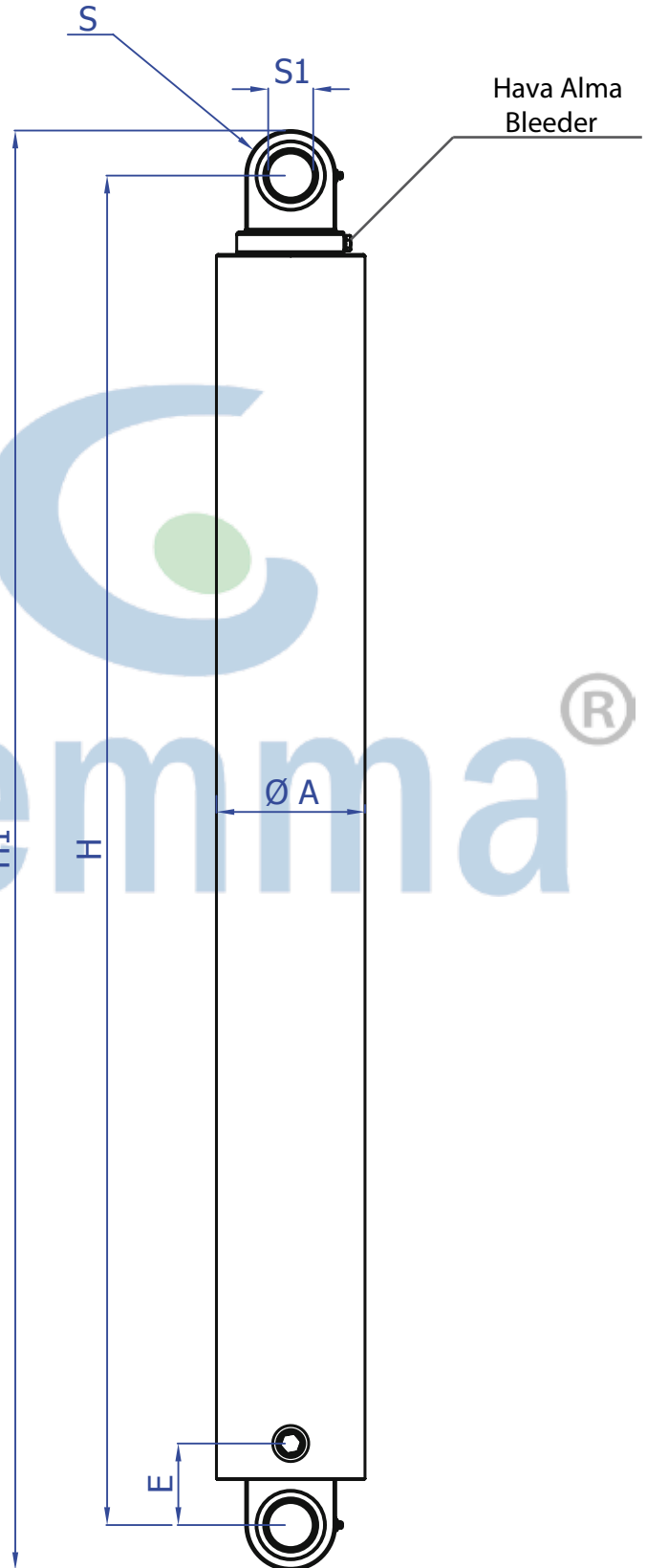
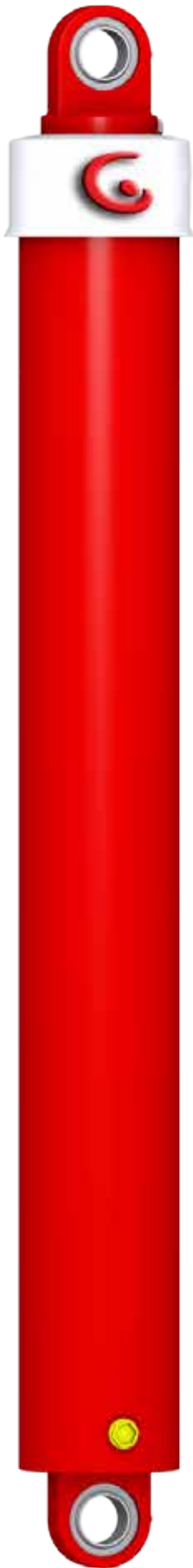
E TIPI / E TYPE



## E TİPİ / E TYPE

ÜRÜN KODU (Product Code)	TİP (Type)	A (Ø)	B (Ø)	C (Ø)	E	S	S1	H	H1	M <sup>3</sup>	YAĞ GİRİŞİ (Oil Inlet)	LİTRE (Liter)	AĞIRLIK (Weight)
1383195005	138-3-1950 E	138	40	155	280	40	50	970	1050	6	R3/4"	24	85
1383225005	138-3-2250 E	138	40	155	280	40	50	1070	1150	6	R3/4"	26	93
1383255005	138-3-2550 E	138	40	155	280	40	50	1170	1250	12	R3/4"	29	100
1383300005	138-3-3000 E	138	40	155	280	40	50	1320	1400	12	R3/4"	31	111
1383315005	138-3-3150 E	138	40	155	280	40	50	1470	1550	12	R3/4"	35	123
1653195005	165-3-1950 E	165	50	190	280	40	50	970	1070	13-15	R3/4"	33	113
1653225005	165-3-2250 E	165	50	190	280	40	50	1070	1170	13-15	R3/4"	36	123
1653255005	165-3-2550 E	165	50	190	280	40	50	1170	1270	13-15	R3/4"	41	134
1653300005	165-3-3000 E	165	50	190	280	40	50	1320	1420	13-15	R3/4"	48	147
1653315005	165-3-3150 E	165	50	190	280	40	50	1470	1570	13-15	R3/4"	54	162
1654260005	165-4-2600 E	165	50	190	280	40	50	970	1070	13-15	R3/4"	33	125
1654300005	165-4-3000 E	165	50	190	280	40	50	1070	1170	13-15	R3/4"	38	136
1654340005	165-4-3400 E	165	50	190	280	40	50	1170	1270	13-15	R3/4"	44	148
1654400005	165-4-4000 E	165	50	190	280	40	50	1320	1420	13-15	R3/4"	51	164
1654420005	165-4-4200 E	165	50	190	280	40	50	1470	1570	13-15	R3/4"	58	184
1903300005	190-3-3000 E	190	50	220	280	40	50	1320	1420	10-12	R3/4"	68	192
1903315005	190-3-3150 E	190	50	220	280	40	50	1470	1570	10-12	R3/4"	75	211
1903345005	190-3-3450 E	190	50	220	280	40	50	1570	1670	13-15	R3/4"	83	224
1903375005	190-3-3750 E	190	50	220	280	40	50	1670	1770	13-15	R3/4"	89	236
1903405005	190-3-4050 E	190	50	220	280	40	50	1770	1870	13-15	R3/4"	95	248
1904340005	190-4-3400 E	190	50	220	280	40	50	1170	1270	13-15	R3/4"	64	191
1904400005	190-4-4000 E	190	50	220	280	40	50	1320	1420	13-15	R3/4"	74	212
1904420005	190-4-4200 E	190	50	220	280	40	50	1470	1570	16-20	R3/4"	84	233
1904460005	190-4-4600 E	190	50	220	280	40	50	1570	1670	16-20	R3/4"	90	254
1904500005	190-4-5000 E	190	50	220	280	40	50	1670	1770	16-20	R3/4"	97	275
1904540005	190-4-5400 E	190	50	220	280	40	50	1770	1870	16-20	R3/4"	103	294
1905425005	190-5-4250 E	190	50	220	280	40	50	1170	1270	16-20	R3/4"	67	206
1905500005	190-5-5000 E	190	50	220	280	40	50	1320	1420	16-20	R3/4"	77	229
1905525005	190-5-5250 E	190	50	220	280	40	50	1470	1570	16-20	R3/4"	87	253
1905575005	190-5-5750 E	190	50	220	280	40	50	1570	1670	16-20	R3/4"	94	268
1905625005	190-5-6250 E	190	50	220	280	40	50	1670	1770	16-20	R3/4"	101	284
1905675005	190-5-6750 E	190	50	220	280	40	50	1770	1870	16-20	R3/4"	108	300
2154400005	215-4-4000 E	215	50	240	280	40	50	1320	1420	20-22	R1"	103	267
2154420005	215-4-4200 E	215	50	240	280	40	50	1470	1570	20-22	R1"	116	276
2155500005	215-5-5000 E	215	50	240	280	40	50	1320	1420	20-22	R1"	108	286
2155525005	215-5-5250 E	215	50	240	280	40	50	1470	1570	20-22	R1"	123	310
2155575005	215-5-5750 E	215	50	240	280	40	50	1570	1670	20-22	R1"	132	330
2155625005	215-5-6250 E	215	50	240	280	40	50	1670	1770	20-22	R1"	142	350
2155675005	215-5-6750 E	215	50	240	280	40	50	1770	1870	20-22	R1"	153	370
2455500005	245-5-5000 E	245	50	280	280	40	50	1320	1420	26-32	R1"	150	352
2455525005	245-5-5250 E	245	50	280	280	40	50	1470	1570	26-32	R1"	167	390
2455575005	245-5-5750 E	245	50	280	280	40	50	1570	1670	26-32	R1"	177	415
2455625005	245-5-6250 E	245	50	280	280	40	50	1670	1770	26-32	R1"	188	441
2455675005	245-5-6750 E	245	50	280	280	40	50	1770	1870	26-32	R1"	209	466
2455725005	245-5-7250 E	245	50	280	280	40	50	1870	1970	26-32	R1"	222	491

F TIPI / F TYPE

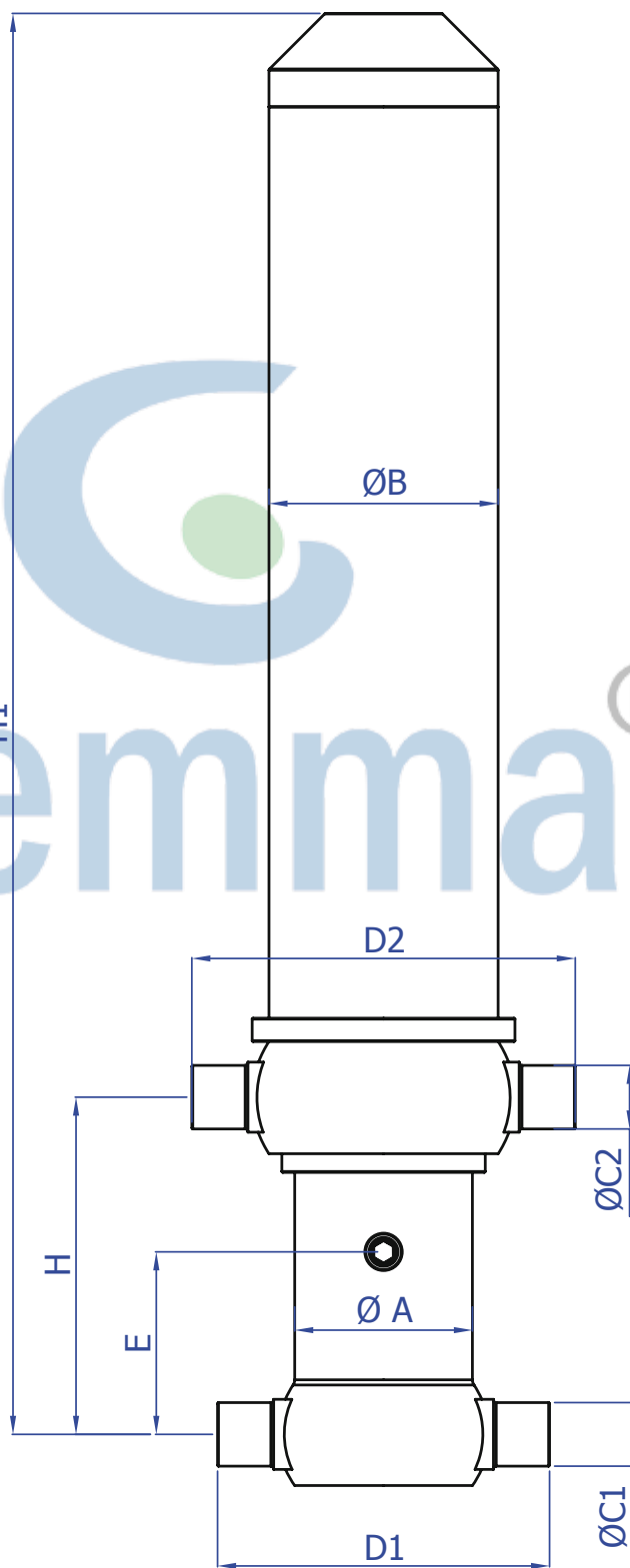
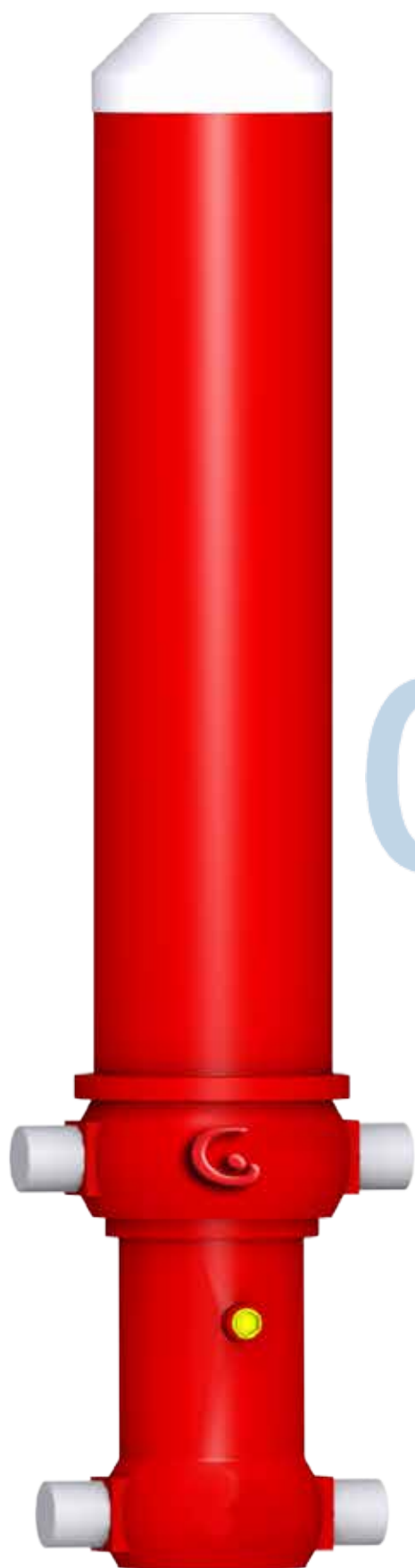




## F TİPİ / F TYPE

ÜRÜN KODU (Product Code)	TİP (Type)	A (Ø)	H	H1	S	S1	E	M <sup>3</sup>	YAĞ GİRİŞİ (Oil Inlet)	LİTRE (Liter)	AĞIRLIK (Weight)
1383195006	138-3-1950 F	138	1030	1130	40	50	105	6	R 3/4 "	24	86
1383225006	138-3-2250 F	138	1130	1230	40	50	105	6	R 3/4 "	26	94
1383255006	138-3-2550 F	138	1230	1330	40	50	105	6	R 3/4 "	29	101
1383300006	138-3-3000 F	138	1380	1380	40	50	105	12	R 3/4 "	31	112
1383315006	138-3-3150 F	138	1430	1630	40	50	105	12	R 3/4 "	35	124
1653195006	165-3-1950 F	165	1030	1130	40	50	105	13-15	R 3/4 "	33	114
1653225006	165-3-2250 F	165	1130	1230	40	50	105	13-15	R 3/4 "	36	124
1653255006	165-3-2550 F	165	1230	1330	40	50	105	13-15	R 3/4 "	41	135
1653300006	165-3-3000 F	165	1380	1480	40	50	105	13-15	R 3/4 "	48	148
1653315006	165-3-3150 F	165	1530	1630	40	50	105	13-15	R 3/4 "	54	163
1654260006	165-4-2600 F	165	1030	1130	40	50	105	13-15	R 3/4 "	33	126
1654300006	165-4-3000 F	165	1130	1230	40	50	105	13-15	R 3/4 "	38	137
1654340006	165-4-3400 F	165	1230	1330	40	50	105	13-15	R 3/4 "	44	149
1654400006	165-4-4000 F	165	1380	1480	40	50	105	13-15	R 3/4 "	51	165
1654420006	165-4-4200 F	165	1530	1630	40	50	105	13-15	R 3/4 "	58	185
1753195006	175-3-1950 F	175	1030	1130	40	50	105	13-15	R 3/4 "	36	124
1753225006	175-3-2250 F	175	1130	1230	40	50	105	13-15	R 3/4 "	39	134
1753255006	175-3-2550 F	175	1230	1330	40	50	105	13-15	R 3/4 "	44	145
1753300006	175-3-3000 F	175	1380	1480	40	50	105	13-15	R 3/4 "	52	158
1753315006	175-3-3150 F	175	1530	1630	40	50	105	13-15	R 3/4 "	57	173
1754260006	175-4-2600 F	175	1030	1130	40	50	105	13-15	R 3/4 "	37	136
1754300006	175-4-3000 F	175	1130	1230	40	50	105	13-15	R 3/4 "	53	147
1754340006	175-4-3400 F	175	1230	1330	40	50	105	13-15	R 3/4 "	49	159
1754400006	175-4-4000 F	175	1380	1480	40	50	105	13-15	R 3/4 "	56	175
1754420006	175-4-4200 F	175	1530	1630	40	50	105	13-15	R 3/4 "	63	195
1903300006	190-3-3000 F	190	1380	1480	40	50	105	10-12	R 3/4 "	68	193
1903315006	190-3-3150 F	190	1530	1630	40	50	105	10-12	R 3/4 "	75	212
1903345006	190-3-3450 F	190	1630	1730	40	50	105	13-15	R 3/4 "	83	224
1903375006	190-3-3750 F	190	1730	1830	40	50	105	13-15	R 3/4 "	89	236
1903405006	190-3-4050 F	190	1830	1930	40	50	105	13-15	R 3/4 "	95	248
1904340006	190-4-3400 F	190	1230	1330	40	50	105	13-15	R 3/4 "	64	192
1904400006	190-4-4000 F	190	1380	1480	40	50	105	13-15	R 3/4 "	74	213
1904420006	190-4-4200 F	190	1530	1630	40	50	105	16-20	R 3/4 "	84	234
1904460006	190-4-4600 F	190	1630	1730	40	50	105	16-20	R 3/4 "	90	255
1904500006	190-4-5000 F	190	1730	1830	40	50	105	16-20	R 3/4 "	97	276
1904540006	190-4-5400 F	190	1830	1930	40	50	105	16-20	R 3/4 "	103	295
1905425006	190-5-4250 F	190	1230	1330	40	50	105	16-20	R 3/4 "	67	207
1905500006	190-5-5000 F	190	1380	1480	40	50	105	16-20	R 3/4 "	77	230
1905525006	190-5-5250 F	190	1530	1630	40	50	105	16-20	R 3/4 "	87	254
1905575006	190-5-5750 F	190	1630	1730	40	50	105	16-20	R 3/4 "	94	269
1905625006	190-5-6250 F	190	1730	1830	40	50	105	16-20	R 3/4 "	101	285
1905675006	190-5-6750 F	190	1830	1930	40	50	105	16-20	R 3/4 "	108	301
2154400006	215-4-4000 F	215	1380	1480	40	50	105	20-22	R 3/4 "	103	268
2154420006	215-4-4200 F	215	1530	1630	40	50	105	20-22	R 3/4 "	116	277
2155500006	215-5-5000 F	215	1380	1480	40	50	105	20-22	R 3/4 "	108	287
2155525006	215-5-5250 F	215	1530	1630	40	50	105	20-22	R 3/4 "	123	311
2155575006	215-5-5750 F	215	1630	1730	40	50	105	20-22	R 3/4 "	132	331
2155625006	215-5-6250 F	215	1730	1830	40	50	105	20-22	R 3/4 "	142	351
2155675006	215-5-6750 F	215	1830	1930	40	50	105	20-22	R 3/4 "	153	371

# H TIPI / H TYPE



Gemma<sup>®</sup>

## H TİPİ / H TYPE

ÜRÜN KODU (Product Code)	TİP (Type)	A (Ø)	B (Ø)	C1 (Ø)	C2 (Ø)	D1	D2	E	H	H1	M <sup>3</sup>	YAĞ GİRİŞİ (Oil Inlet)	LİTRE (Liter)	AĞIRLIK (Weight)
1383195007	138-3-1950 H	138	190	55	68	280	355	60	360	910	6	R3/4"	24	106
1383225007	138-3-2250 H	138	190	55	68	280	355	60	360	1010	6	R3/4"	26	118
1383255007	138-3-2550 H	138	190	55	68	280	355	60	360	1110	6	R3/4"	29	130
1383300007	138-3-3000 H	138	190	55	68	280	355	60	360	1260	12	R3/4"	31	147
1383315007	138-3-3150 H	138	190	55	68	280	355	60	360	1410	12	R3/4"	35	195
1653195007	165-3-1950 H	165	215	68	68	330	380	60	360	910	13-15	R3/4"	33	141
1653225007	165-3-2250 H	165	215	68	68	330	380	60	360	1010	13-15	R3/4"	36	156
1653255007	165-3-2550 H	165	215	68	68	330	380	60	360	1110	13-15	R3/4"	41	171
1653300007	165-3-3000 H	165	215	68	68	330	380	60	360	1260	13-15	R3/4"	48	194
1653315007	165-3-3150 H	165	215	68	68	330	380	60	360	1410	13-15	R3/4"	54	217
1654260007	165-4-2600 H	165	215	68	68	330	380	60	360	910	13-15	R3/4"	33	146
1654300007	165-4-3000 H	165	215	68	68	330	380	60	360	1010	13-15	R3/4"	38	169
1654340007	165-4-3400 H	165	215	68	68	330	380	60	360	1110	13-15	R3/4"	44	187
1654400007	165-4-4000 H	165	215	68	68	330	380	60	360	1260	13-15	R3/4"	51	211
1654420007	165-4-4200 H	165	215	68	68	330	380	60	360	1410	13-15	R3/4"	58	238
1654460007	165-4-4600 H	165	215	68	68	330	380	60	360	1510	13-15	R3/4"	68	264
1654500007	165-4-5000 H	165	215	68	68	330	380	60	360	1610	13-15	R3/4"	78	289
1654540007	165-4-5400 H	165	215	68	68	330	380	60	360	1710	13-15	R3/4"	88	315
1903255007	190-3-2550 H	190	243	68	68	355	415	60	360	1110	10-12	R3/4"	80	203
1903300007	190-3-3000 H	190	243	68	68	355	415	60	360	1260	10-12	R3/4"	68	255
1903315007	190-3-3150 H	190	243	68	68	355	415	60	360	1410	10-12	R3/4"	75	282
1903345007	190-3-3450 H	190	243	68	68	355	415	60	360	1510	13-15	R3/4"	83	305
1903375007	190-3-3750 H	190	243	68	68	355	415	60	360	1610	13-15	R3/4"	89	325
1903405007	190-3-4050 H	190	243	68	68	355	415	60	360	1710	13-15	R3/4"	95	344
1904340007	190-4-3400 H	190	243	68	68	355	415	60	360	1110	13-15	R3/4"	64	244
1904400007	190-4-4000 H	190	243	68	68	355	415	60	360	1260	13-15	R3/4"	74	318
1904420007	190-4-4200 H	190	243	68	68	355	415	60	360	1410	16-20	R3/4"	84	306
1904460007	190-4-4600 H	190	243	68	68	355	415	60	360	1510	16-20	R3/4"	90	334
1904500007	190-4-5000 H	190	243	68	68	355	415	60	360	1610	16-20	R3/4"	97	362
1904540007	190-4-5400 H	190	243	68	68	355	415	60	360	1710	16-20	R3/4"	103	390
1905425007	190-5-4250 H	190	243	68	68	355	415	60	360	1110	16-20	R3/4"	67	255
1905500007	190-5-5000 H	190	243	68	68	355	415	60	360	1260	16-20	R3/4"	77	289
1905525007	190-5-5250 H	190	243	68	68	355	415	60	360	1410	16-20	R3/4"	87	324
1905575007	190-5-5750 H	190	243	68	68	355	415	60	360	1510	16-20	R3/4"	94	346
1905625007	190-5-6250 H	190	243	68	68	355	415	60	360	1610	16-20	R3/4"	101	370
1905675007	190-5-6750 H	190	243	68	68	355	415	60	360	1710	16-20	R3/4"	108	393
1905725007	190-5-7250 H	190	243	68	68	355	415	60	360	1810	16-20	R3/4"	116	417
1905775007	190-5-7750 H	190	243	68	68	355	415	60	360	1910	16-20	R3/4"	128	440
2154340007	215-4-3400 H	215	273	68	75	380	520	60	360	1110	20-22	R3/4"	91	303
2154400007	215-4-4000 H	215	273	68	75	380	520	60	360	1260	20-22	R3/4"	103	327
2154420007	215-4-4200 H	215	273	68	75	380	520	60	360	1410	20-22	R3/4"	118	370
2154460007	215-4-4600 H	215	273	68	75	380	520	60	360	1510	20-22	R3/4"	127	395
2154500007	215-4-5000 H	215	273	68	75	380	520	60	360	1610	20-22	R3/4"	135	433
2154540007	215-4-5400 H	215	273	68	75	380	520	60	360	1710	20-22	R3/4"	143	470
2155425007	215-5-4250 H	215	273	68	75	380	520	60	360	1110	20-22	R3/4"	96	313
2155500007	215-5-5000 H	215	273	68	75	380	520	60	360	1260	20-22	R3/4"	110	366
2155525007	215-5-5250 H	215	273	68	75	380	520	60	360	1410	20-22	R3/4"	124	404
2155575007	215-5-5750 H	215	273	68	75	380	520	60	360	1510	20-22	R1"	133	434
2155625007	215-5-6250 H	215	273	68	75	380	520	60	360	1610	20-22	R1"	143	463
2155675007	215-5-6750 H	215	273	68	75	380	520	60	360	1710	20-22	R1"	154	512
2155725007	215-5-7250 H	215	273	68	75	380	520	60	360	1810	20-22	R1"	165	530

Ürün Kodu (Product Code)	Ürün Adı (Product Name)	Ağırlık (Weight)	ø A	L	H
GMM-01-100	Şase Üstü Braketi (Upper Chassis Bracket)	16 kg	55,5 mm	195 mm	110 mm
GMM-01-200	Şase Üstü Braketi (Upper Chassis Bracket)	30 kg	68,5 mm	235 mm	120 mm

Kullanıldığı  
Silindirler  
(Mounted On  
The Cylinders)

C TYPE

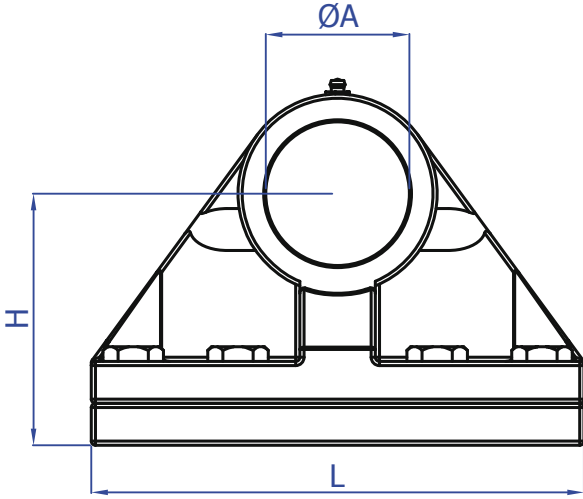
H TYPE

K TYPE

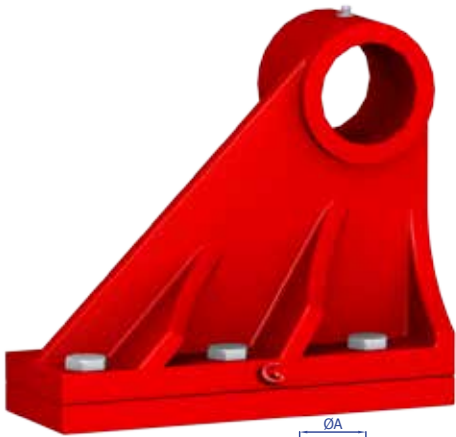
L TYPE

M TYPE

P TYPE



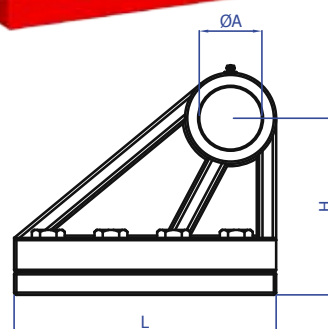
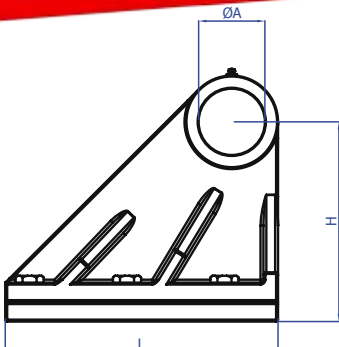
Ürün Kodu (Product Code)	Ürün Adı (Product Name)	Ağırlık (Weight)	ø A	L	H
GMM-01-300	Kasa Braketi Küçük Chassis Bracket (Small)	23 kg	55,5 mm	235 mm	160 mm
GMM-01-400	Kasa Braketi Büyük Chassis Bracket (Big)	29 kg	68,5 mm	275 mm	210 mm



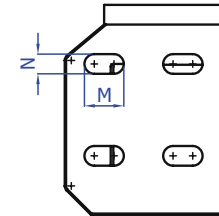
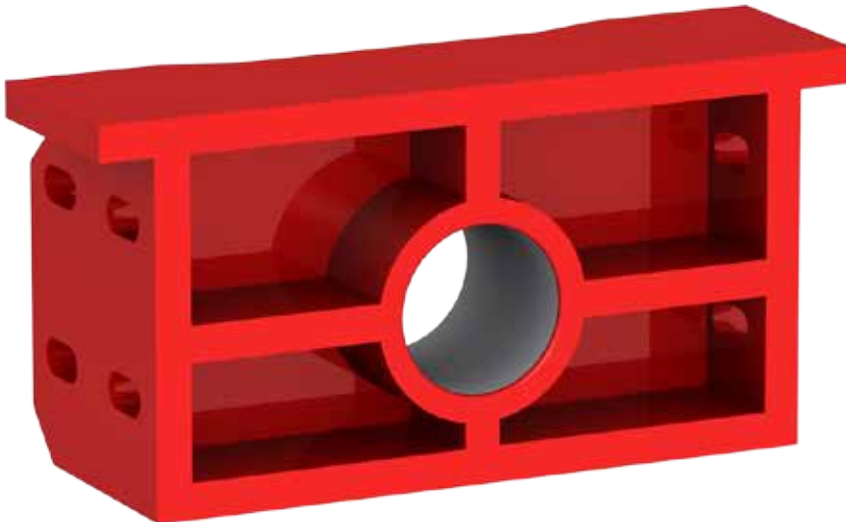
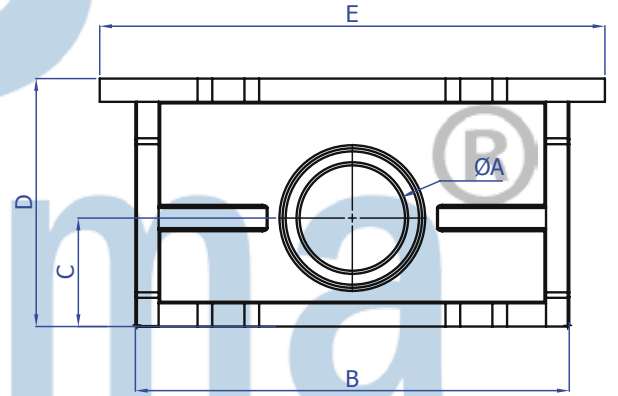
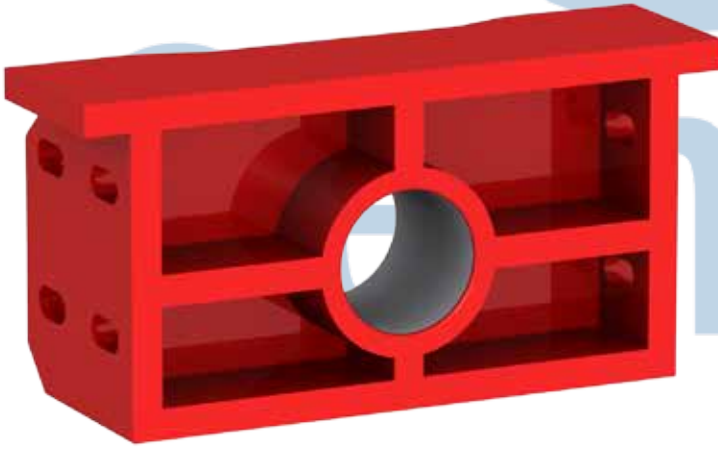
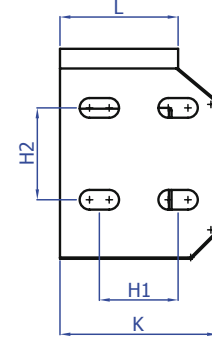
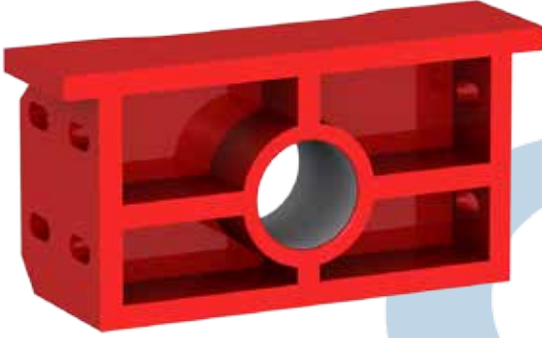
Kullanıldığı  
Silindirler  
(Mounted On  
The Cylinders)

A TYPE

H TYPE



Ürün Kodu (Product Code)	Ürün Adı (Product Name)	Ağırlık (Weight)	Ø A	L	H1	H2	B	C	D	E	N	M
GMM-02-500	Şase Altı Braketi (Under Chassis Bracket)	32 kg	68,5 mm	90 mm	63 mm	70 mm	285 mm	75 mm	165 mm	328 mm	18 mm	34 mm
GMM-02-600	Şase Altı Braketi (Under Chassis Bracket)	36 kg	68,5 mm	85 mm	58 mm	70 mm	365 mm	80 mm	165 mm	400 mm	18 mm	32 mm
GMM-02-700	Şase Altı Braketi (Under Chassis Bracket)	55 kg	75,5 mm	90 mm	58 mm	70 mm	420 mm	110 mm	195 mm	455 mm	19 mm	36 mm



Kullanıldığı  
Silindriiler  
(Mounted On  
The Cylinders)

C TYPE

H TYPE

**MALZEME BİLGİSİ / MATERIALS INFO**

- Üretimde kullanılan borular sıcak çekim DIN 2393 ST-52 BKS kalitesindedir.
- Silindirde kullanılan her bir kademe ölçüsü 190 bara dayanıklılık gösterecek şekilde tasarlanmıştır.
- Tüm silindir kademe yüzeyleri 40 mikron sert krom kaplıdır.
- Geliştirilmiş yataklama yüzeyleri silindirin daha verimli ve güvenli çalışmasını sağlar.
- Hassas işleme toleransları sızdırmazlık elemanlarının en iyi şekilde görev yapmasını sağlar.
- Her kademenin sızdırmazlığı poliüretan malzemeli yüksek basınç sızdırmazlık elemanları ile sağlanmaktadır.

Her kademenin 190 bar basınçta kaldırabileceği yük tablosu aşağıdadır.

**MALZEME BİLGİSİ / MATERIAL INFO**

- The tubes are made up of DIN ST-52 BKS material.
- Each stages used in the complete cylinders have durability upto 190 bars.
- All the stage surfaces are chrome plated with 40 micron.
- Improved guide element surfaces enable cylinder to work more efficiently and safely.
- Sensitive treatment tolerances provide guide elements to function perfectly.
- The sealing on each stage is provided with the high pressure applicable sealing kit which is made up of polyurethane material.

Check below to see each stage capacity to load and unload .

Kademe Çapı Diameter	İtme Kuvveti Thrust Force
<b>190 bar</b>	
<b>mm</b>	<b>ton</b>
Ø 212	68,42
Ø 185	52,08
Ø 160	38,95
Ø 135	27,73
Ø 115	20,12
Ø 95	13,73
Ø 75	8,56
Ø 55	4,60





